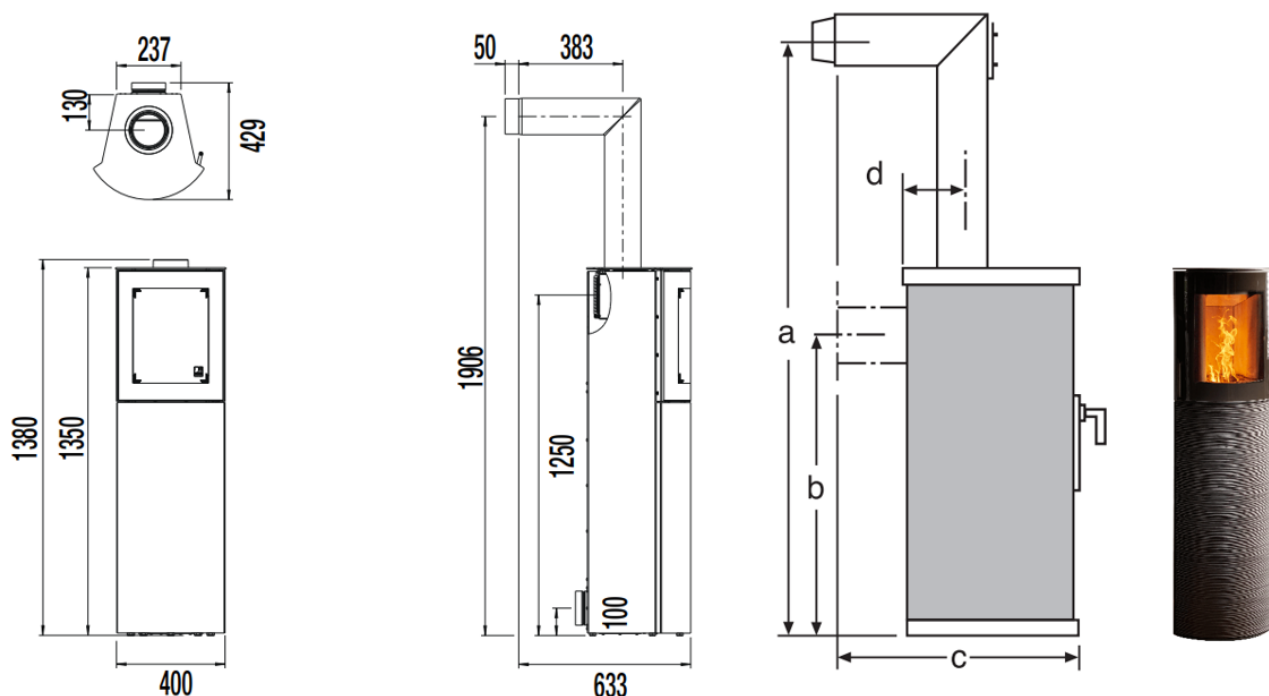


MR. WU



[www.austroflamm.com](http://www.austroflamm.com)



## DIMENSIONS AND WEIGHTS

Height [mm]	1350
Width [mm]	400
Depth [mm]	380
Combustion chamber (h x w x d) [mm]	335 x 170 x 250
STM weight [kg]	140
Flue outlet diameter [mm]	130
Flue outlet diameter, middle [mm]	1250

## HEAT OUTPUT

Nominal heat output under EN 13240 [kW]	5
Min. / max. heat output [kW]	3 / 6
Space heating capacity (depending on the building insulation)[m³]	48 - 124
Energy efficiency category	A+

## FEATURES

XTRA heat-storing technology	-
Design A1	o
Ash drawer / ash box	o
Dimensions a, b, c, d [mm]	1906 / 1250 / 633 / 130
external air connection / operation independent of ambient air	behind or below

## DATA FOR THE CHIMNEY SWEEP

Total flue gas flow, closed [g/s]	4.2
Flue gas temperature, closed [°C]	299
Minimum feed pressure at nominal heat efficiency, closed [Pa]	12
at 0.8 times nominal heat efficiency [Pa]	10