

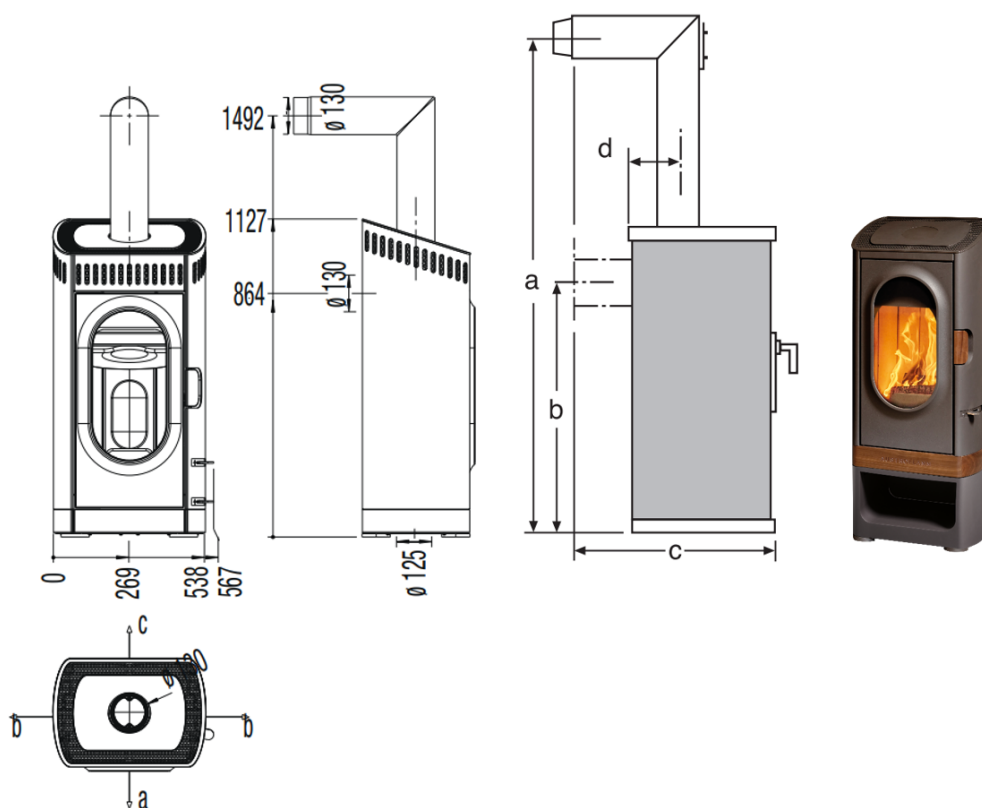
WOODY XTRA



AUSTROFLAMM



www.austroflamm.com



DIMENSIONS AND WEIGHTS

Height [mm]	1127
Width [mm]	538
Depth [mm]	399
Combustion chamber (h x w x d) [mm]	412 x 328 x 209
STM weight [kg]	258
Flue outlet diameter [mm]	130
Flue outlet diameter, middle [mm]	864

HEAT OUTPUT

Nominal heat output under EN 13240 [kW]	6
Min. / max. heat output [kW]	3.5 / 8
Space heating capacity (depending on the building insulation)[m³]	65 - 165
Energy efficiency category	A+

FEATURES

XTRA heat-storing technology	o
Design A1	o
Ash drawer / ash box	-
Dimensions a, b, c, d [mm]	1492 / 864 / 592 / 185
external air connection / operation independent of ambient air	below

DATA FOR THE CHIMNEY SWEEP

Total flue gas flow, closed [g/s]	5.78
Flue gas temperature, closed [°C]	294
Minimum feed pressure at nominal heat efficiency, closed [Pa]	12
at 0.8 times nominal heat efficiency [Pa]	10