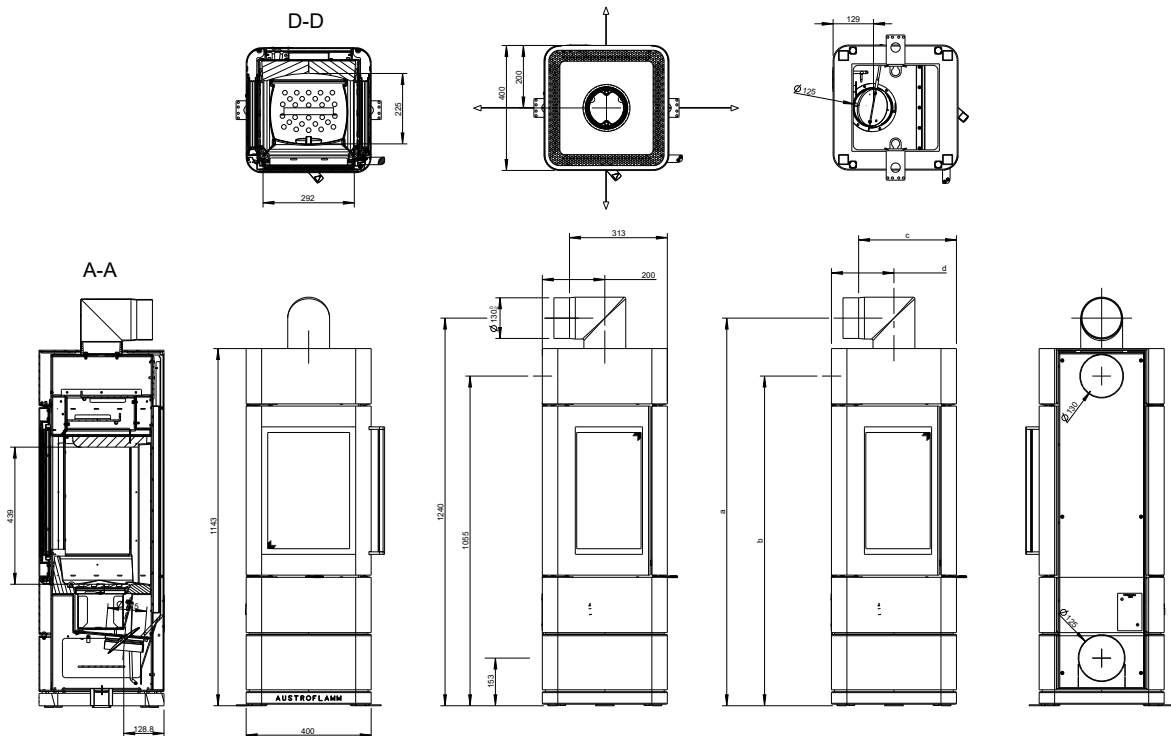


IVY



AUSTROFLAMM



www.austroflamm.com

Dimensions and weight	
Height [mm]	1143
Width [mm]	400
Depth [mm]	400
Combustion chamber width [mm]	292
Combustion chamber height [mm]	439
Combustion chamber depth [mm]	225
Baking compartment width [mm]	-
Baking compartment height [mm]	-
Baking compartment depth [mm]	-
Warming drawer, width [mm]	-
Warming compartment height [mm]	-
Warming drawer, depth [mm]	-
Dimensions, a (with Austroflamm elbow piece) [mm]	1240
Dimensions, b (with Austroflamm elbow piece) [mm]	1055
Dimensions, c (with Austroflamm elbow piece) [mm]	313
Dimensions, d (with Austroflamm elbow piece) [mm]	200
Flue pipe outlet, diameter [mm]	130
Outside air connection diameter [Ø mm]	125
Weight, basic appliance [kg]	124
Weight Xtra [kg]	-
Weight, HMS [kg]	43
Total weight inc. steel case (STM) [kg]	124
Total weight inc. ceramic case (KGM) [kg]	-
Total weight inc. soapstone case (SPM) [kg]	-
a: Safety distance to combustible materials, front [mm]	1000
b: Safety distance to combustible materials, left [mm]	750
c: Safety distance to combustible materials, rear [mm]	200
d: Safety distance to combustible materials, right [mm]	750
Safety distance to combustible materials, floor [mm]	0
Output	
Nominal heat efficiency [kW]	5.0
Minimum heat output [kW]	2.5
Maximum heat output [kW]	7.0
Minimum room heating capacity [m ³]	48
Maximum room heating capacity [m ³]	124
Energy efficiency class	A+
Data for the chimney sweep	
Exhaust gas mass flow [g/s]	4.2
Flue gas temperature [°C]	263
Minimum delivery pressure at nominal heat output [Pa]	12
at 0.8 times nominal heat output [Pa]	10
Equipment	
Xtra heat storage technology	-
Heat Memory System	Accessories
External air connection / operation independent of ambient air	Yes
Ash removal	Ash box

- not available