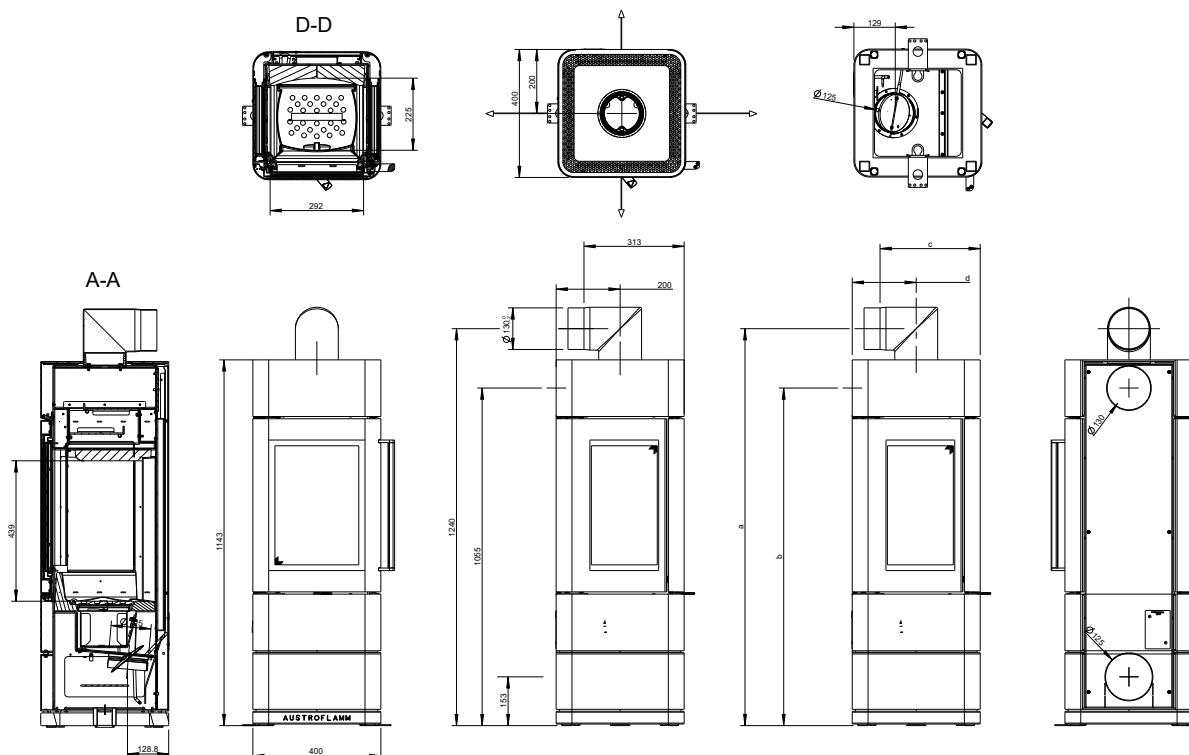


IVY 2.0



www.austroflamm.com



DIMENSIONS AND WEIGHTS

Steel casing (STM) h x w x d [mm]	1143 x 400 x 400
Ceramic casing (KMG) h x w x d [mm]	-
Soapstone casing (SPM) h x w x d [mm]	-
Firebox h x w x d [mm]	439 x 292 x 225
Weight STM [kg]	124
Weight HMS [kg]	42,5
Flue pipe outlet [mm]	130
Flue pipe connection, middle [mm]	1055
Dimensions a, b, c, d [mm]	1240 / 1055 / 313 / 200
Safety distances to combustible materials front / side / rear [mm]	1000 / 750 / 200

HEAT OUTPUT

Nominal heat output under EN 13240 [kW]	5
Min. / max. heat output [kW]	2.5 / 7.0
Space heating capacity (depending on the building insulation)[m³]	48-124
Energy efficiency category	A+

FITTINGS

XTRA heat storage technology	-
Heat Memory System (HMS)	Z
Ash box	o
external air connection / balanced flue operation	rear or bottom

DATA FOR THE CHIMNEY SWEEP

Total flue gas flow, closed [g/s]	4.2
Flue gas temperature, closed [°C]	263
Minimum feed pressure at nominal heat efficiency, closed [Pa]	12
at 0.8 times nominal heat efficiency [Pa]	10