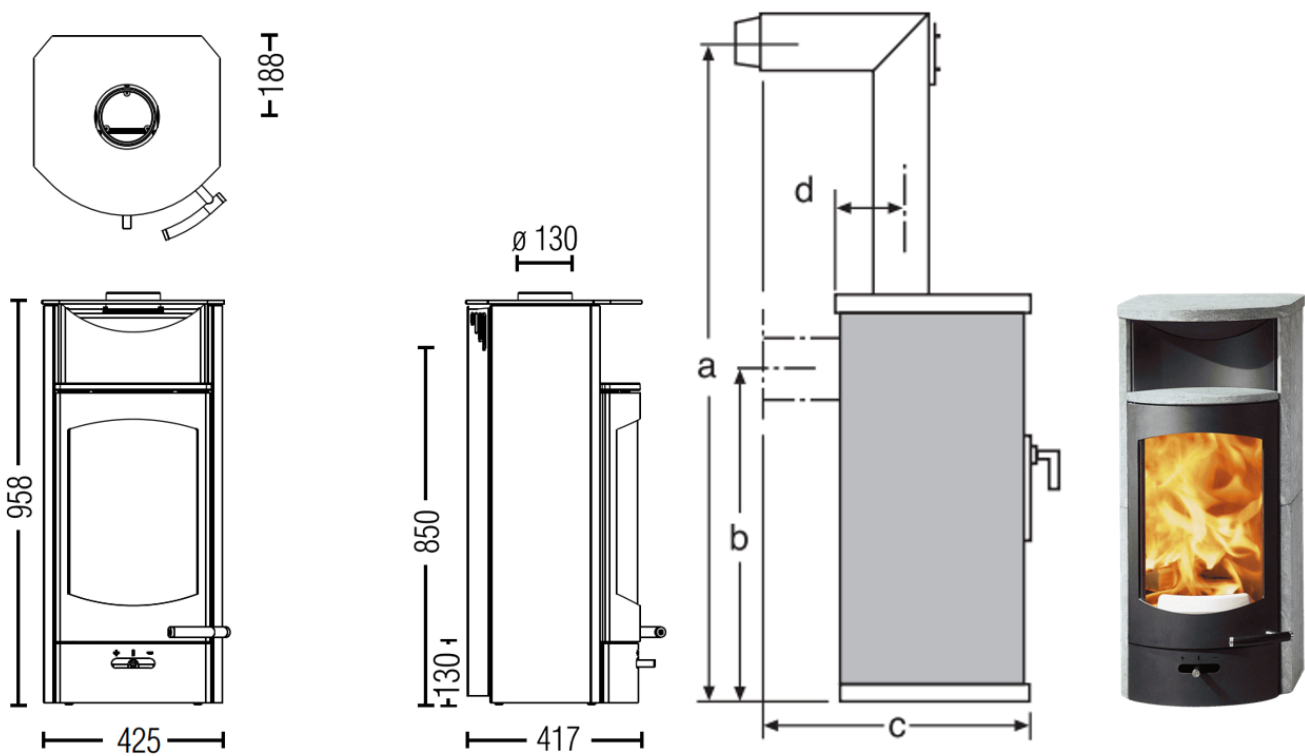


FLOK 2.0



[www.austroflamm.com](http://www.austroflamm.com)



## DIMENSIONS AND WEIGHTS

Steel casing (STM) h x w x d [mm]	958 x 425 x 417
Ceramic casing (KMG) h x w x d [mm]	-
Soapstone casing (SPM) h x w x d [mm]	986 x 433 x 417
Firebox h x w x d [mm]	379 x 282 x 248
Warming compartment (ceramic, soapstone) w x d [mm]	340 x 180
Weight STM / KMG / SPM [kg]	100 / - / 149
Weight HMS [kg]	77
Flue pipe outlet [mm]	130
Flue pipe connection, middle [mm]	850
Dimensions a, b, c, d [mm]	1504 / 850 / 605 / 188
Safety distances to combustible materials front / side / rear [mm]	800 / 150 / 100

## HEAT OUTPUT

Nominal heat output under EN 13240 [kW]	4
Min. / max. heat output [kW]	2.5 / 6
Space heating capacity (depending on the building insulation)[m³]	34 - 88
Energy efficiency category	A+

## FITTINGS

XTRA heat storage technology	-
Heat Memory System (HMS)	Z
Ash box	o
external air connection / balanced flue operation	rear

## DATA FOR THE CHIMNEY SWEEP

Total flue gas flow, closed [g/s]	3.92
Flue gas temperature, closed [°C]	343
Minimum feed pressure at nominal heat efficiency, closed [Pa]	12
at 0.8 times nominal heat efficiency [Pa]	10