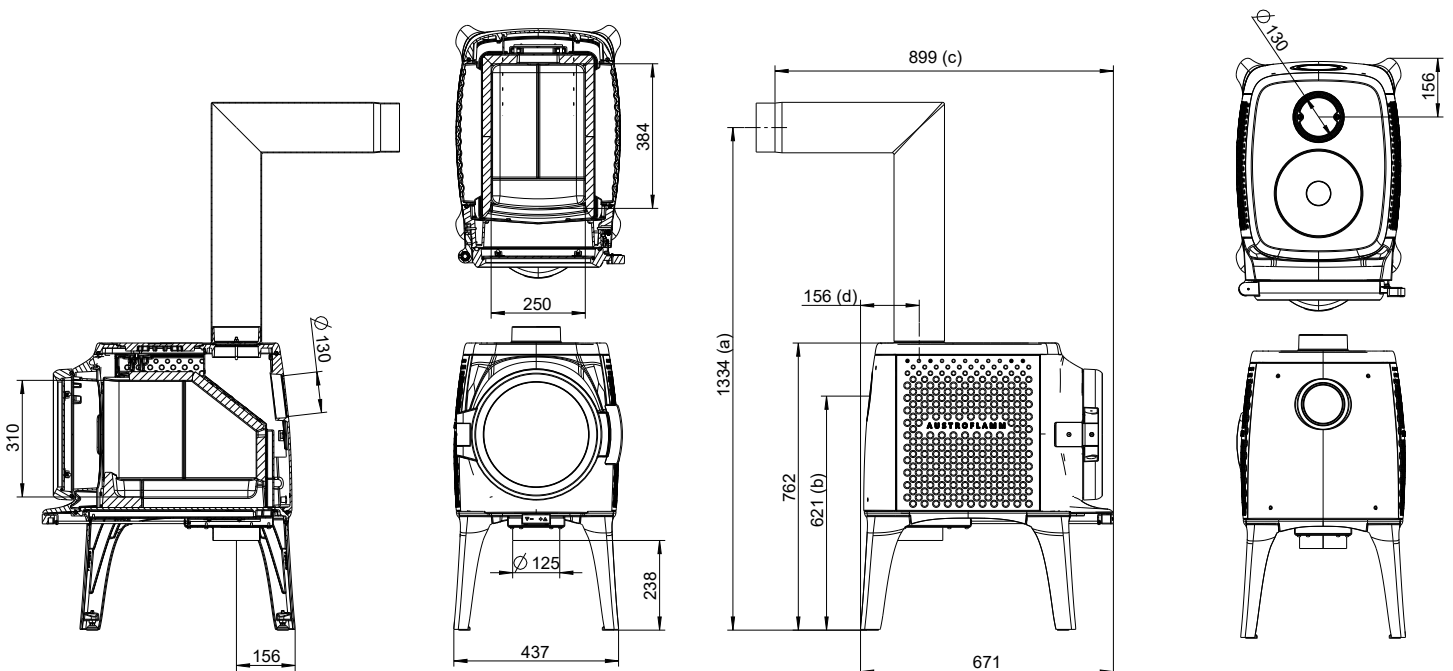


CLOUDI



AUSTROFLAMM



www.austroflamm.com

Dimensions and weight	
Height [mm]	761
Width [mm]	439
Depth [mm]	671
Combustion chamber width [mm]	249
Combustion chamber height [mm]	310
Combustion chamber depth [mm]	390
Baking compartment width [mm]	*
Baking compartment height [mm]	*
Baking compartment depth [mm]	*
Warming drawer, width [mm]	*
Warming compartment height [mm]	*
Warming drawer, depth [mm]	*
Dimensions, a (with Austroflamm elbow piece) [mm]	*
Dimensions, b (with Austroflamm elbow piece) [mm]	*
Dimensions, c (with Austroflamm elbow piece) [mm]	*
Dimensions, d (with Austroflamm elbow piece) [mm]	*
Flue pipe outlet, diameter [mm]	130
Outside air connection diameter [Ø mm]	125
Weight, basic appliance [kg]	127
Weight Xtra [kg]	*
Weight, HMS [kg]	*
Total weight inc. steel case (STM) [kg]	*
Total weight inc. ceramic case (KGM) [kg]	*
Total weight inc. soapstone case (SPM) [kg]	*
Minimum distance to combustible materials - distance to rear dR [mm]	600
Minimum distance to combustible materials - left side dS_1 [mm]	800
Minimum distance to combustible materials - right side dS_2 [mm]	800
Minimum distance to adjacent combustible materials (e.g. furniture) dP [mm]	900
Minimum distance to combustible materials - floor in front dF [mm]	0
Minimum distance to combustible materials - bottom dB [mm]	300
Minimum distance to combustible materials - left side radiation area dL_1 [mm]	0
Minimum distance to combustible materials - right side radiation area dL_2 [mm]	0
Minimum distance to combustible materials - distance to ceiling dC [mm]	750
Minimum distance from non-flammable materials [mm]	50
Output	
Nominal heat efficiency [kW]	7.0
Minimum heat output [kW]	NPD
Maximum heat output [kW]	7.0
Minimum room heating capacity [m³]	127
Maximum room heating capacity [m³]	200
Energy efficiency class	A+
Energy efficiency index (EEI)	109
Direct heat output [kW]	7.0
Indirect heat output [kW]	NPD
Efficiency at nominal heat output [%]	82
Efficiency at at part load heat output [%]	NPD

Data for the chimney sweep

Flue gas mass flow at nominal heat output [g/s]	6.9
Flue gas temperature [°C]	267
Minimum delivery pressure at nominal heat output [Pa]	12
at 0.8 times nominal heat output [Pa]	10

Equipment

Xtra heat storage technology	-
Heat Memory System	-
External air connection / operation independent of ambient air	-
Ash removal	Flat bed firing

**under examination*