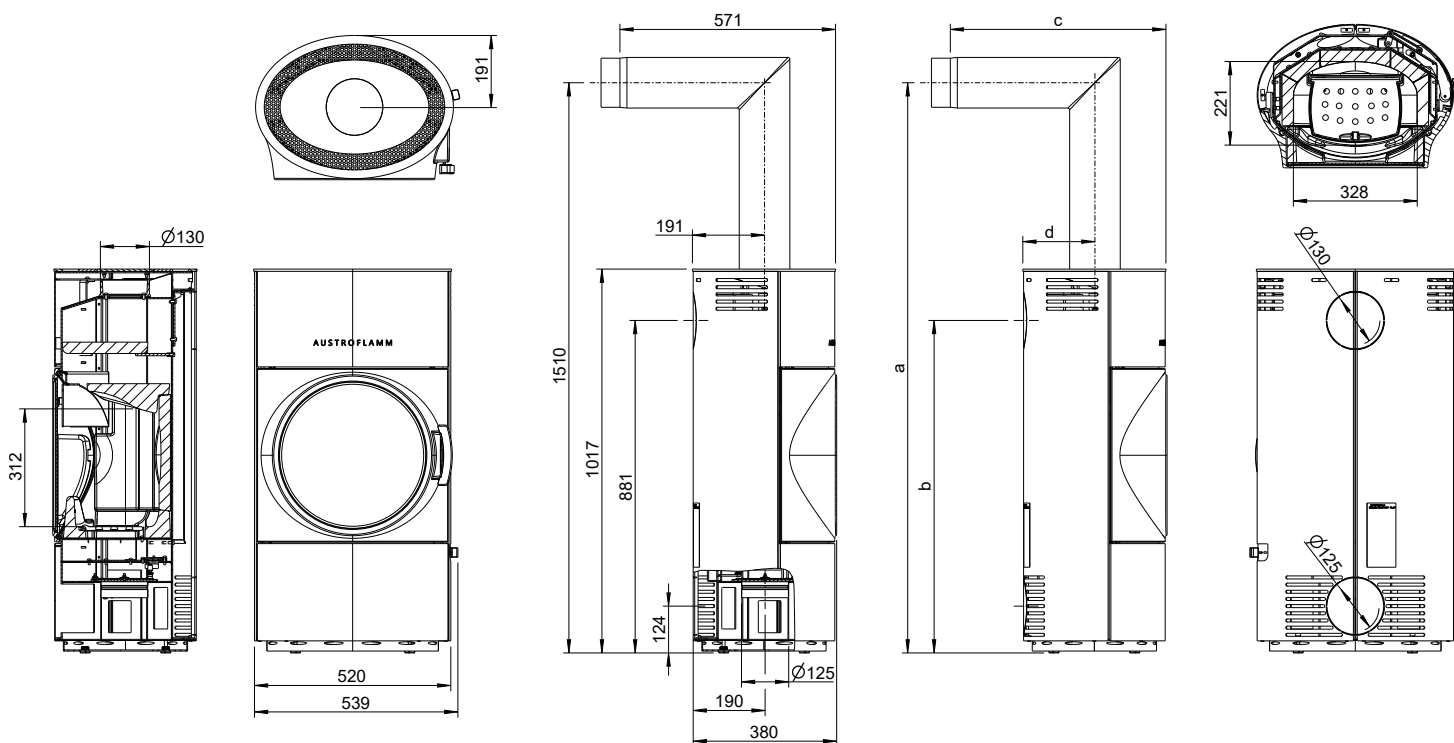


CLOU COMPACT FLAT



AUSTROFLAMM



Dimensions and weight	
Height [mm]	1017
Width [mm]	520
Depth [mm]	380
Combustion chamber width [mm]	328
Combustion chamber height [mm]	312
Combustion chamber depth [mm]	221
Baking compartment width [mm]	NPD
Baking compartment height [mm]	NPD
Baking compartment depth [mm]	NPD
Warming drawer, width [mm]	NPD
Warming compartment height [mm]	NPD
Warming drawer, depth [mm]	NPD
Dimensions, a (with Austroflamm elbow piece) [mm]	1510
Dimensions, b (with Austroflamm elbow piece) [mm]	881
Dimensions, c (with Austroflamm elbow piece) [mm]	571
Dimensions, d (with Austroflamm elbow piece) [mm]	191
Flue pipe outlet, diameter [mm]	130
Outside air connection diameter [Ø mm]	125
Weight, basic appliance [kg]	117
Weight Xtra [kg]	NPD
Weight, HMS [kg]	37
Total weight inc. steel case (STM) [kg]	117
Total weight inc. ceramic case (KGM) [kg]	NPD
Total weight inc. soapstone case (SPM) [kg]	NPD
Minimum distance to combustible materials - distance to rear dR [mm]	150/ 150
Minimum distance to combustible materials - left side dS_1 [mm]	200/ 200
Minimum distance to combustible materials - right side dS_2 [mm]	200/ 200
Minimum distance to adjacent combustible materials (e.g. furniture) dP [mm]	1000/ 1000
Minimum distance to combustible materials - floor in front dF [mm]	0/ 0
Minimum distance to combustible materials - bottom dB [mm]	0/ 0
Minimum distance to combustible materials - left side radiation area dL_1 [mm]	0/ 0
Minimum distance to combustible materials - right side radiation area dL_2 [mm]	0/ 0
Minimum distance to combustible materials - distance to ceiling dC [mm]	750/ 750
Minimum distance from non-flammable materials [mm]	50/ 50
Output	
Nominal heat efficiency [kW]	6.0/ 6.0
Minimum heat output [kW]	NPD/NPD
Maximum heat output [kW]	6.0/ 6.0
Minimum room heating capacity [m³]	109/ 109
Maximum room heating capacity [m³]	171/ 171
Energy efficiency class	A/A
Energy efficiency index (EEI)	106/106
Direct heat output [kW]	6.0/ 6.0
Indirect heat output [kW]	NPD/NPD
Efficiency at nominal heat output [%]	80/ 80
Efficiency at at part load heat output [%]	NPD/NPD

- not available

CLOU COMPACT FLAT



Data for the chimney sweep

Flue gas mass flow at nominal heat output [g/s]	5.5/ 5.5
Flue gas temperature [°C]	329/ 329
Minimum delivery pressure at nominal heat output [Pa]	13/ 13
at 0.8 times nominal heat output [Pa]	10/ 10

Equipment

Xtra heat storage technology	-
Heat Memory System	Accessories
External air connection / operation independent of ambient air	Yes
Ash removal	Ash box

- not available