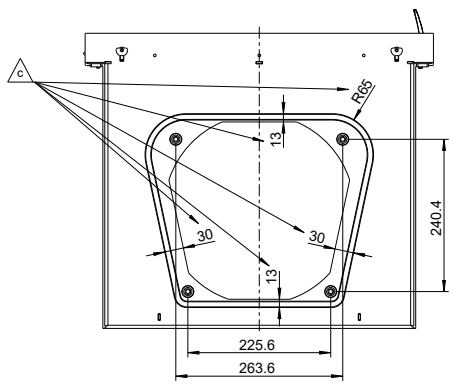
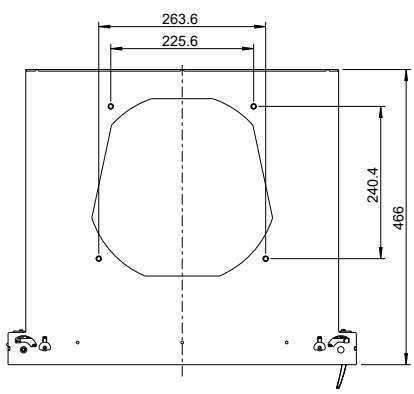
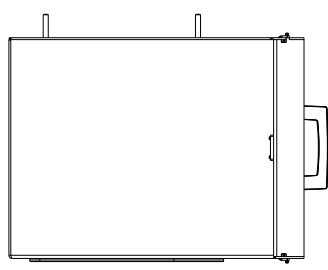
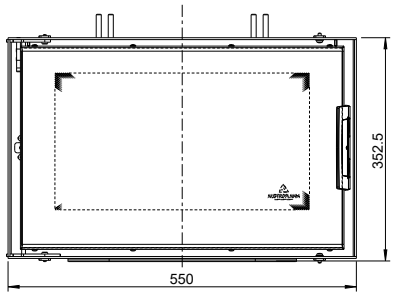


BAKING COMPARTMENT



Dimensions and weight

Width external dimension [mm]	550
Depth external dimension [mm]	466
Height external dimension [mm]	353
Width internal dimension [mm]	381
Depth internal dimension [mm]	375
Height internal dimension [mm]	199
Weight with Keramott [mm]	52.3
Glass curvature	straight
Δt [°C]	98
Δp [Pa]	3
$\Delta \eta$ [%]	5.9
Can be fitted to fireplace insert:	45x51K, 45x57K, 45x68K, 55x45K, 55x51K, 55x57K, 65x45K, 65x51K 65x57K, 75x39K, 75x57K

Equipment

Hinged door	Yes
Sliding door	No
Double pane	No