

63X40X42-K-2.0



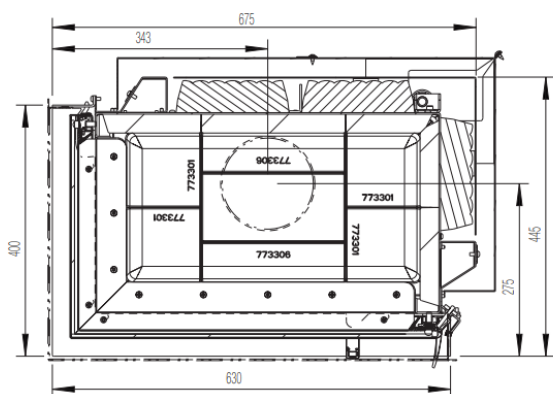
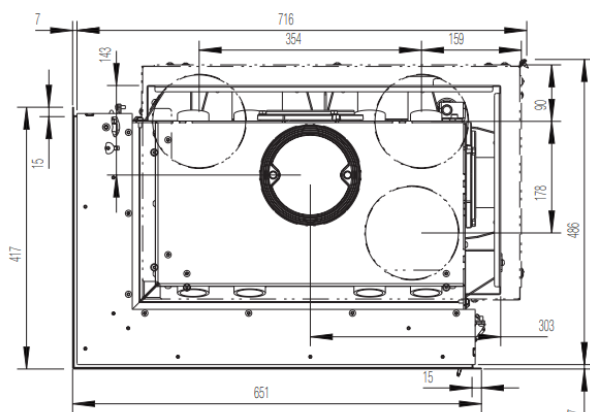
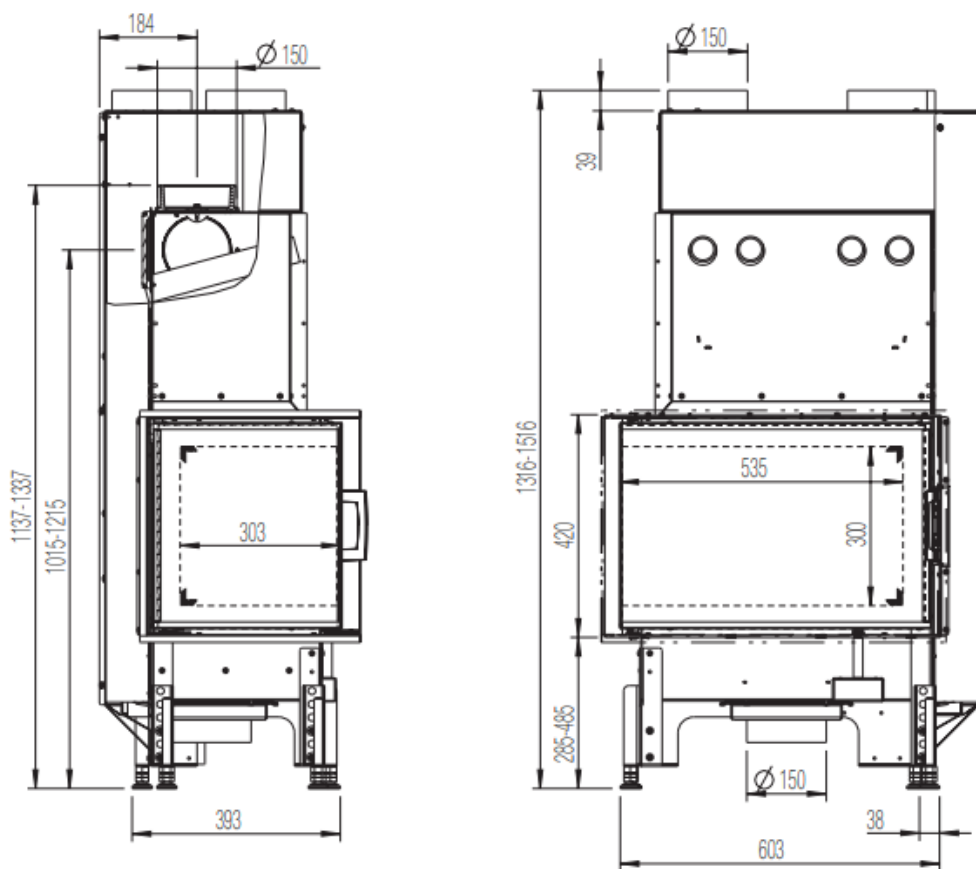
www.austroflamm.com

63X40X42-K-2.0



AUSTROFLAMM

left

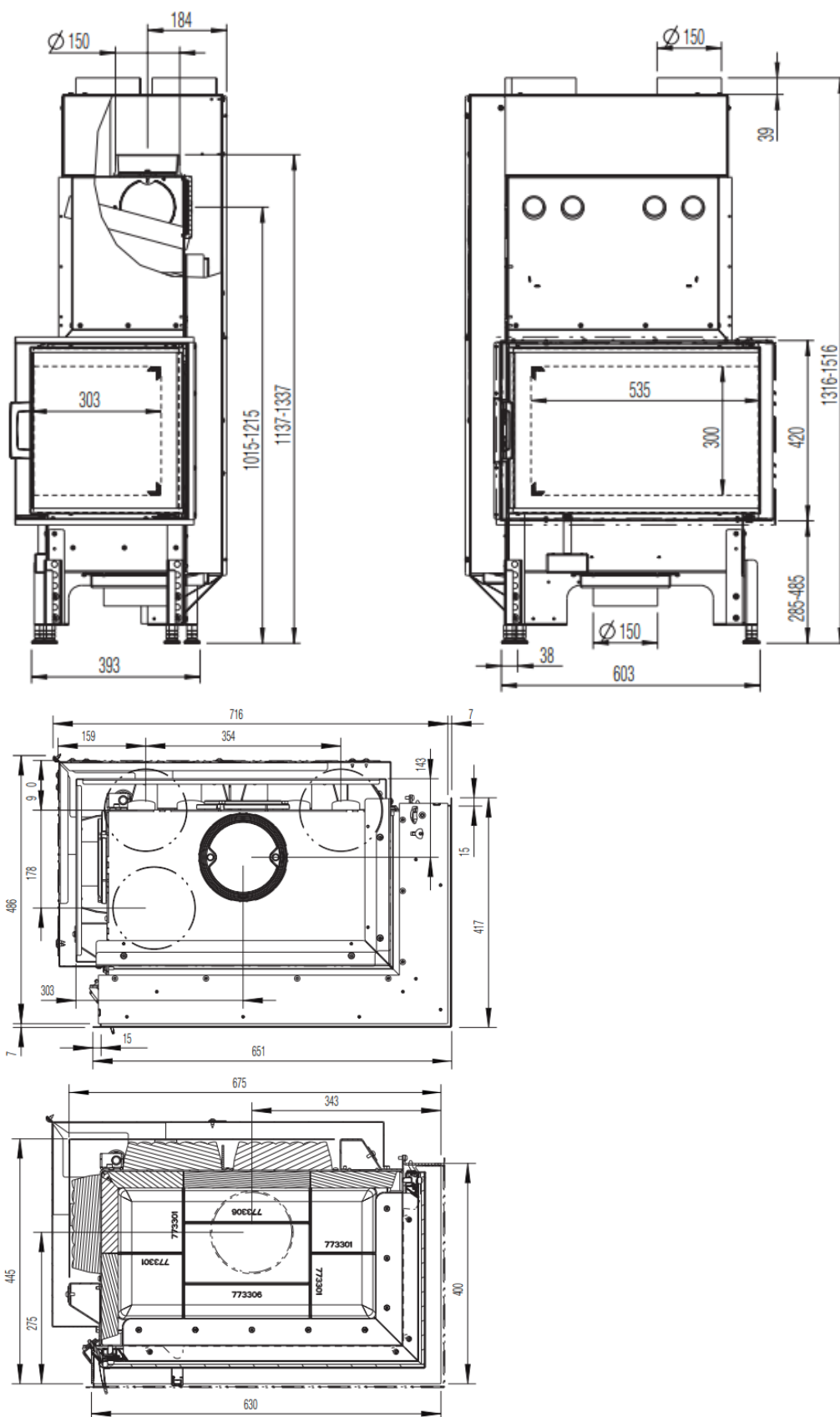


right

o standard

Z Accessories

- not available



o standard

Z Accessories

- not available

DIMENSIONS AND WEIGHTS

Height [mm]	1137-1337
Width [mm]	675
Depth [mm]	445
Weight [kg]	126
Width (body installation dimension) [mm]	630
Door frame, height [mm]	420
Flue pipe outlet, diameter [mm]	150
Insulation layer thicknesses at installation base [mm] (Promasil 950 KS)	-
Insulation layer thicknesses, lateral / rear [mm] (Promasil 950 KS)	100 / 120
Insulation layer thicknesses at ceiling [mm] (Promasil 950 KS)	120
Ceramic flues - max. length [m]	4

HEAT OUTPUT

Nominal heat efficiency [kW] lt. EN test EN 13229	8
Heat output, minimum [kW] / Heat output, maximum [kW]	4-11
Energy efficiency category	A+
Circulating air cross-section without / with metal secondary heating surface [cm ²]	700/1300

FEATURES

Hinged doors	yes
Double pane	x

DATA FOR THE CHIMNEY SWEEP

Flue gas mass flow [g/s]	7.65
Flue gas temperature [°C]	230
Minimum delivery pressure at nominal heat output [Pa]	10