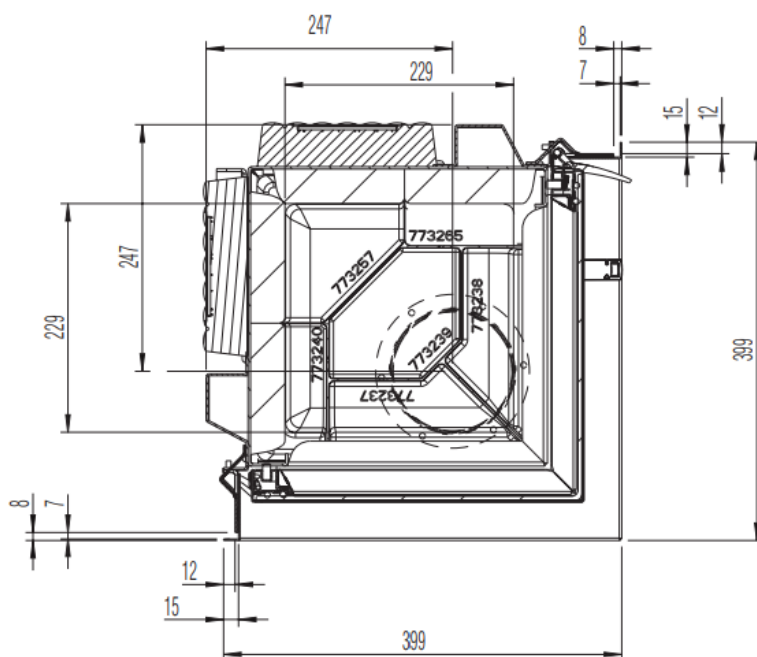
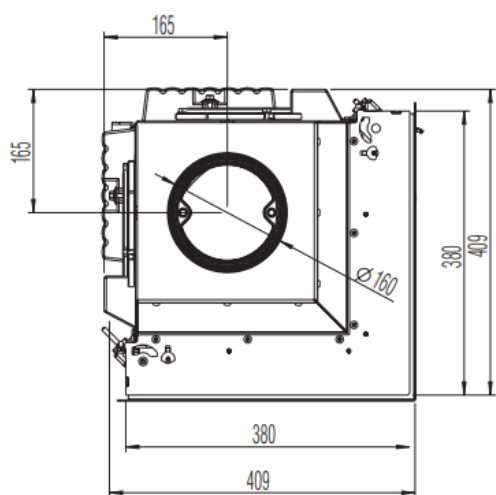
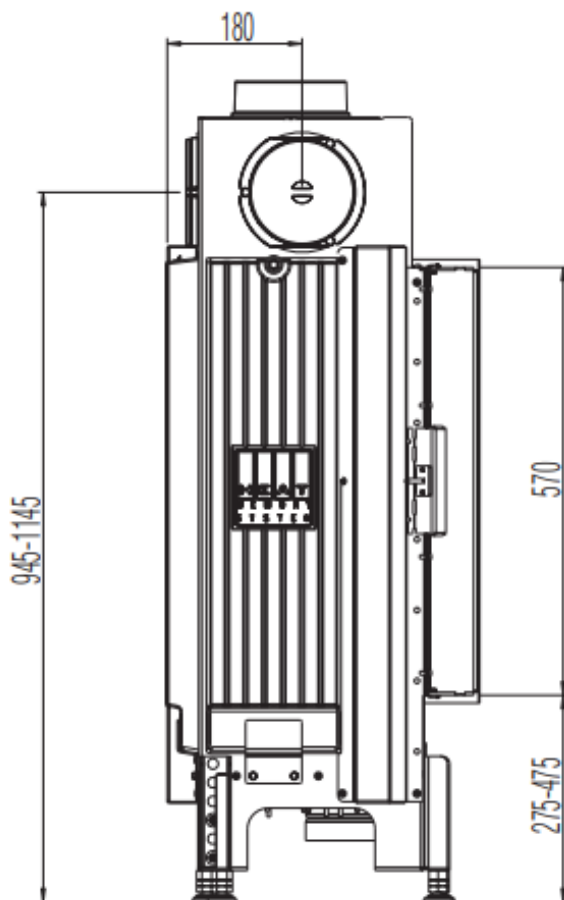
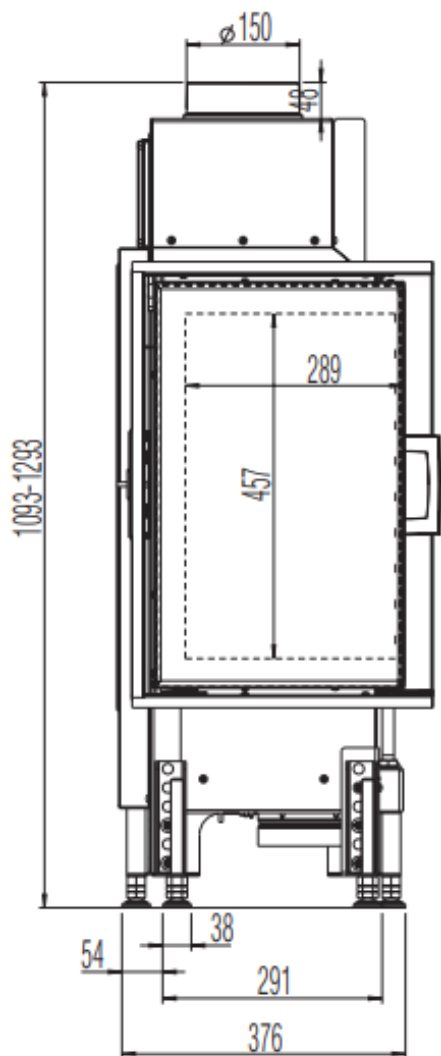


38X38X57-K-2.0



www.austroflamm.com



DIMENSIONS AND WEIGHTS

Height [mm]	1093-1293
Width [mm]	409
Depth [mm]	409
Weight [kg]	72
Width (body installation dimension) [mm]	380
Door frame, height [mm]	570
Flue pipe outlet, diameter [mm]	150
Insulation layer thicknesses to the installation floor [mm] (Promasil 950 KS)	0
Insulation layer thicknesses lateral / rear [mm] (Promasil 950 KS)	90
Insulation layer thicknesses to the ceiling [mm] (Promasil 950 KS)	90
Ceramic flues - max. length [m]	3

HEAT OUTPUT

Nominal heat efficiency [kW] lt. EN test EN 13229	5
Heat output, minimum [kW] / Maximum heat output [kW]	2.5-7
Energy efficiency category	A+
Circulating air cross-section without / with metal secondary heating surface [cm ²]	700/1100

FEATURES

Hinged doors	yes
Double pane	x

DATA FOR THE CHIMNEY SWEEP

Total flue gas flow [g/s]	5
Flue gas temperature [°C]	273
Minimum feed pressure at nominal heat efficiency [Pa]	12