

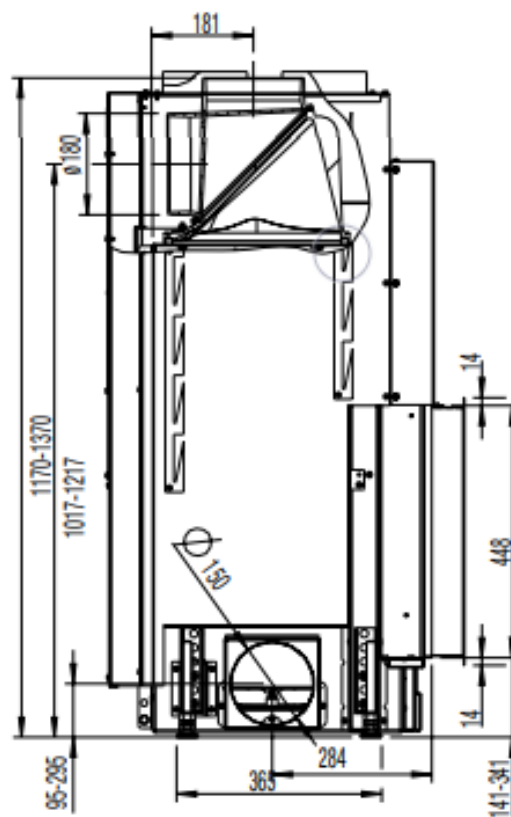
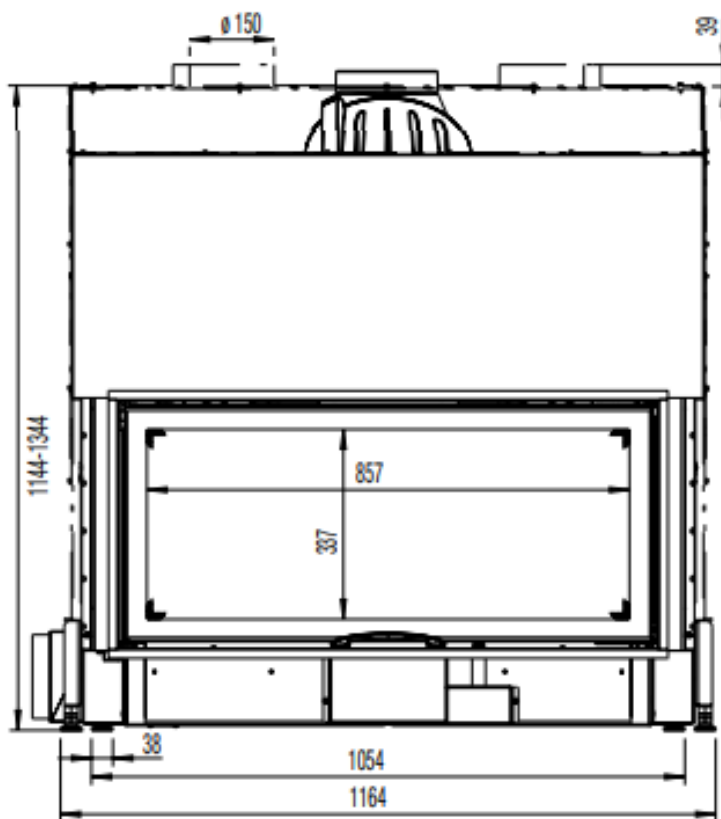
97X45-S

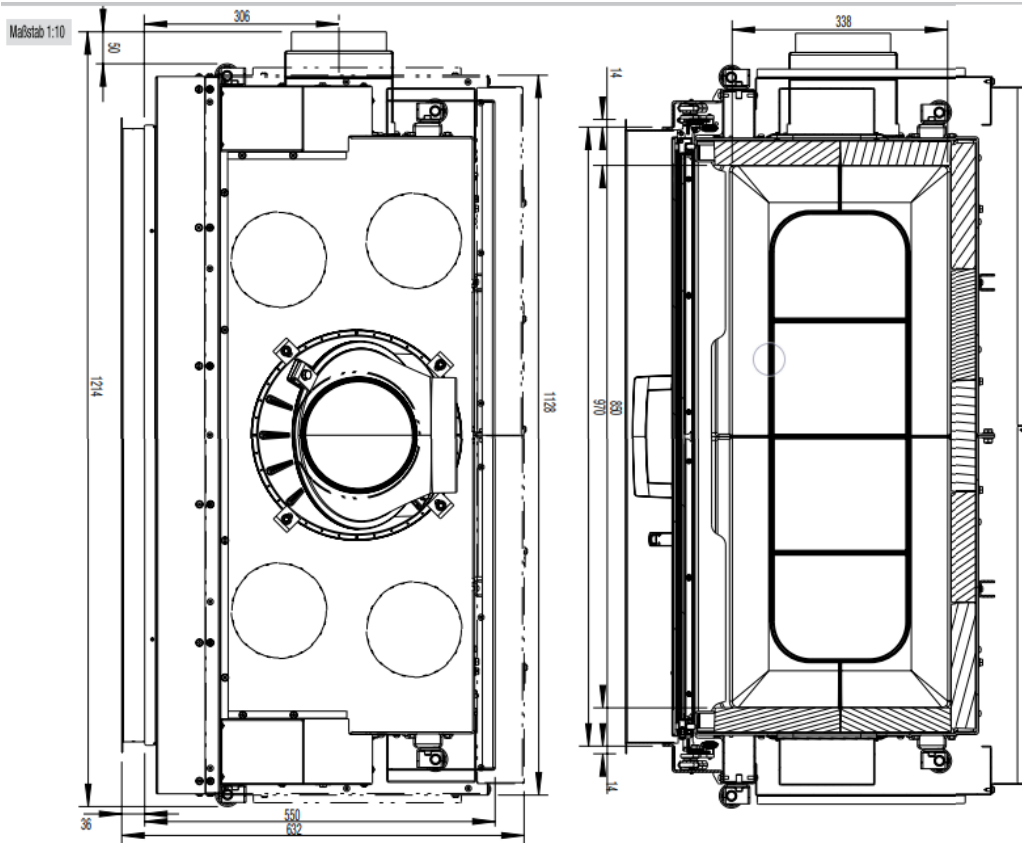


[www.austroflamm.com](http://www.austroflamm.com)



Maßstab 1:20





## DIMENSIONS AND WEIGHTS

Height [mm]	1170-1370
Width [mm]	1214
Depth [mm]	550
Weight [kg]	272
Width (body installation dimension) [mm]	970
Door frame height [mm]	450
Flue outlet diameter [mm]	180
Insulation layer thicknesses to the installation floor [mm] (Promasil 950 KS)	30
Insulation layer thicknesses lateral / rear [mm] (Promasil 950 KS)	100
Insulation layer thicknesses to the ceiling [mm] (Promasil 950 KS)	120
Ceramic flues - max. length [m]	4

## HEAT OUTPUT

Nominal heat efficiency [kW] lt. EN test EN 13229	11
Minimum heat output [kW] / Maximum heat output [kW]	6-17
Energy efficiency category	A
Circulating air cross-section without / with metal secondary heating surface [cm <sup>2</sup> ]	1000/1300

## FEATURES

Double pane	yes
Sliding door	yes

## DATA FOR THE CHIMNEY SWEEP

Total flue gas flow [g/s]	9.96
Flue gas temperature [°C]	274
Minimum feed pressure at nominal heat efficiency [Pa]	12