

75X57-K-2.0

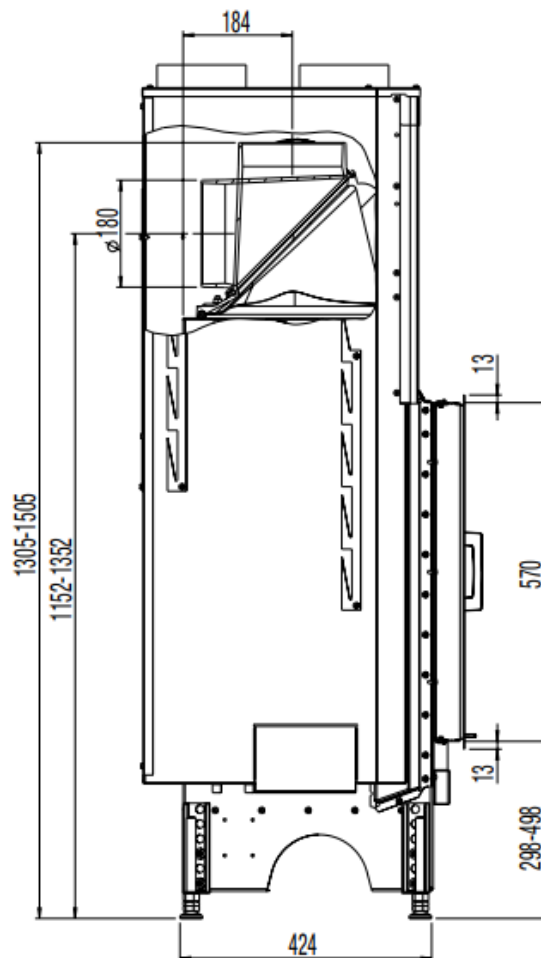
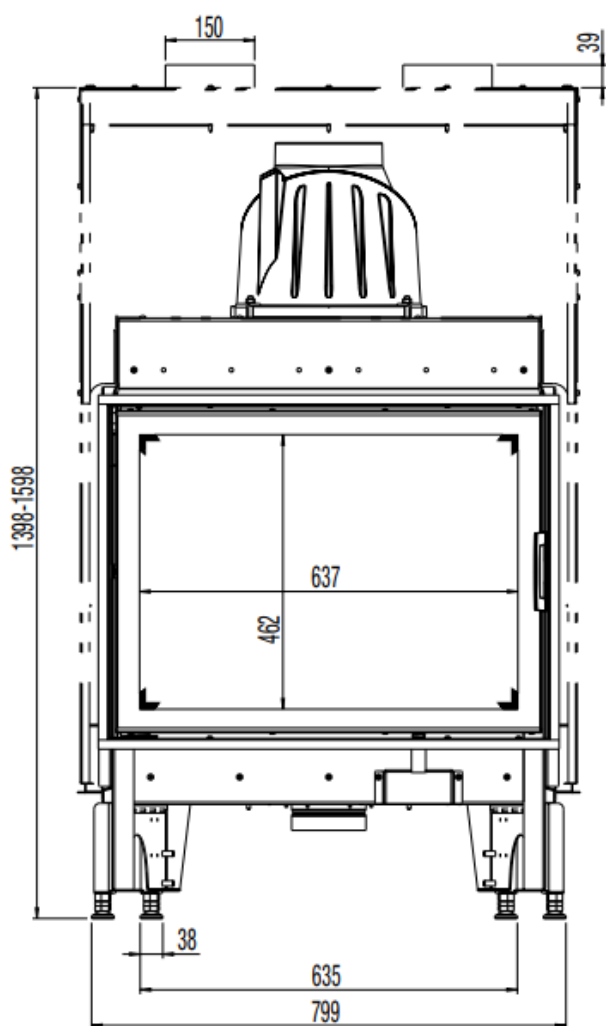


www.austroflamm.com

75X57-K-2.0



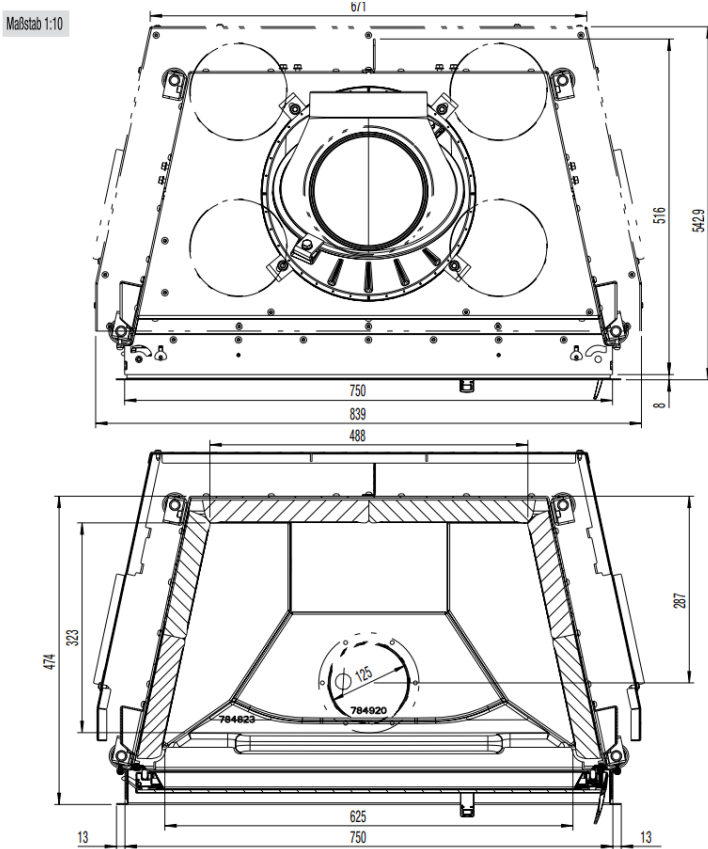
AUSTROFLAMM



o standard

Z Accessories

- not available



DIMENSIONS AND WEIGHTS

| | |
|---|-----------|
| Height [mm] | 1305-1505 |
| Width [mm] | 839 |
| Depth [mm] | 516 |
| Weight [kg] | 139 |
| Width (body installation dimension) [mm] | 750 |
| Door frame height [mm] | 570 |
| Flue outlet diameter [mm] | 180 |
| Insulation layer thicknesses to the installation floor [mm] (Promasil 950 KS) | 60 |
| Insulation layer thicknesses lateral / rear [mm] (Promasil 950 KS) | 120 |
| Insulation layer thicknesses to the ceiling [mm] (Promasil 950 KS) | 120 |
| Ceramic flues - max. length [m] | 4 |

HEAT OUTPUT

| | |
|---|----------|
| Nominal heat efficiency [kW] lt. EN test EN 13229 | 10 |
| Minimum heat output [kW] / Maximum heat output [kW] | 5-14 |
| Energy efficiency category | A+ |
| Circulating air cross-section without / with metal secondary heating surface [cm ²] | 700/1300 |

FEATURES

| | |
|--------------|-----|
| Hinged doors | yes |
| Double pane | x |

DATA FOR THE CHIMNEY SWEEP

| | |
|---|-----|
| Total flue gas flow [g/s] | 7.7 |
| Flue gas temperature [°C] | 300 |
| Minimum feed pressure at nominal heat efficiency [Pa] | 12 |