

75X39-SII

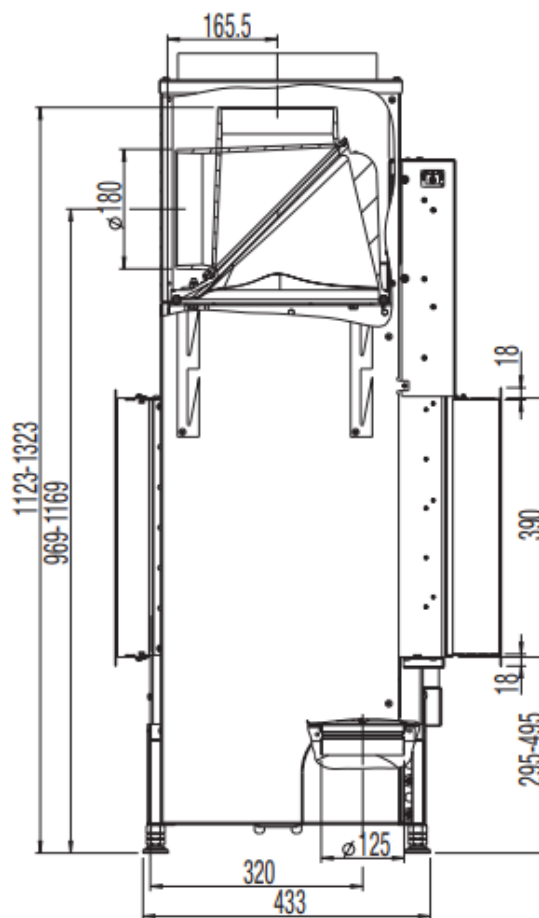
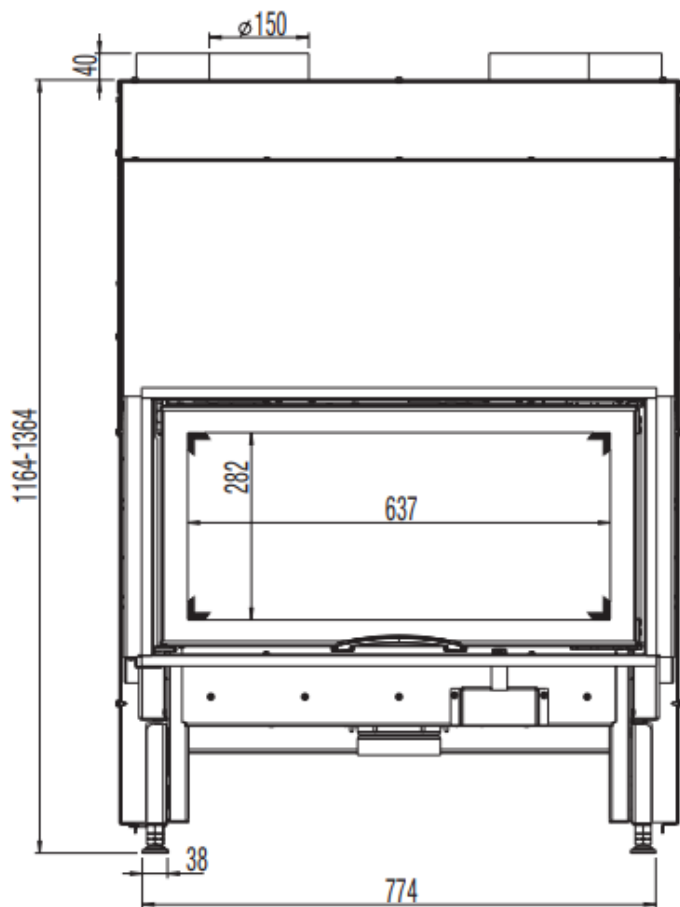


[www.austroflamm.com](http://www.austroflamm.com)

# 75X39-SII



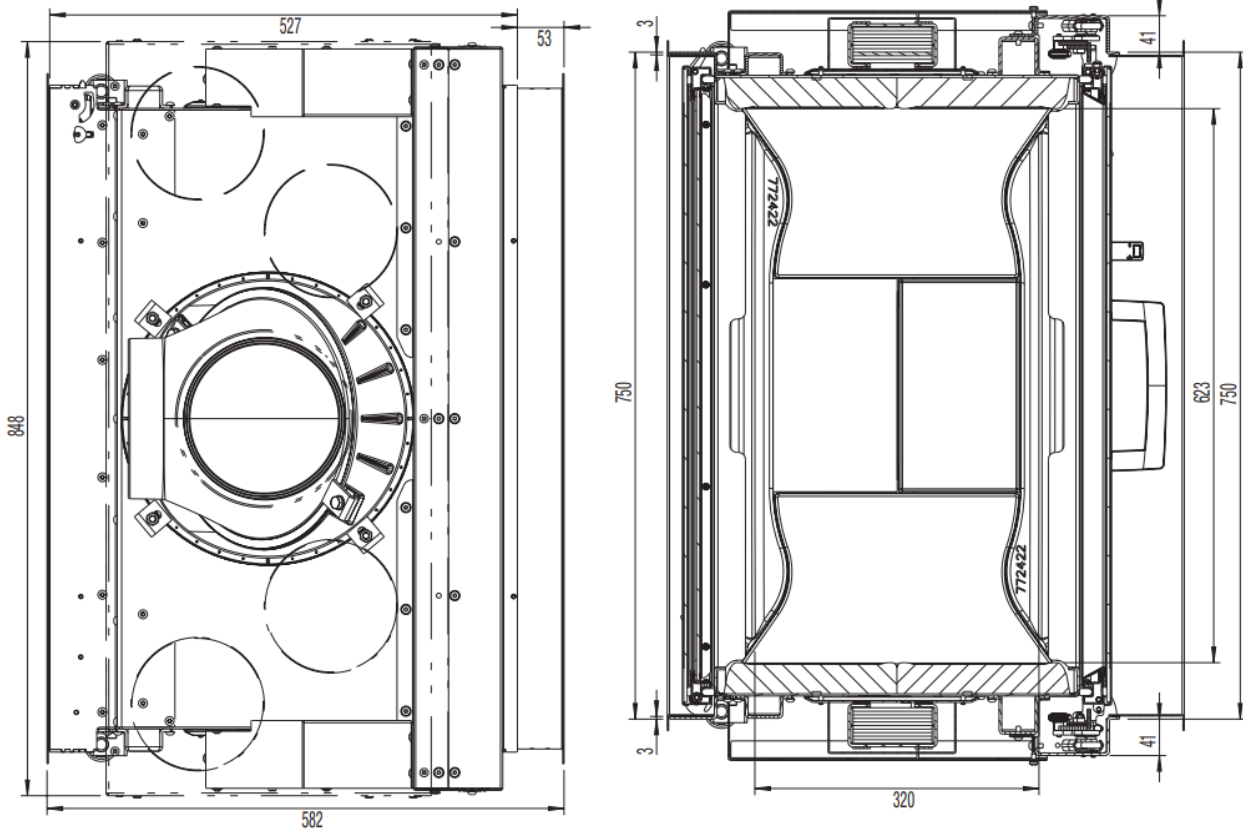
AUSTROFLAMM



o standard

Z Accessories

- not available



## DIMENSIONS AND WEIGHTS

Height [mm]	1123-1323
Width [mm]	848
Depth [mm]	527
Weight [kg]	186
Width (body installation dimension) [mm]	750
Door frame height [mm]	390
Flue outlet diameter [mm]	180
Insulation layer thicknesses to the installation floor [mm] (Promasil 950 KS)	60
Insulation layer thicknesses lateral / rear [mm] (Promasil 950 KS)	120/120
Insulation layer thicknesses to the ceiling [mm] (Promasil 950 KS)	0
Ceramic flues - max. length [m]	4

## HEAT OUTPUT

Nominal heat efficiency [kW] lt. EN test EN 13229	10
Minimum heat output [kW] / Maximum heat output [kW]	5-4
Energy efficiency category	A+
Circulating air cross-section without / with metal secondary heating surface [cm <sup>2</sup> ]	700/1300

## FEATURES

Double pane	yes
Sliding door	yes

## DATA FOR THE CHIMNEY SWEEP

Total flue gas flow [g/s]	7.3
Flue gas temperature [°C]	331
Minimum feed pressure at nominal heat efficiency [Pa]	12