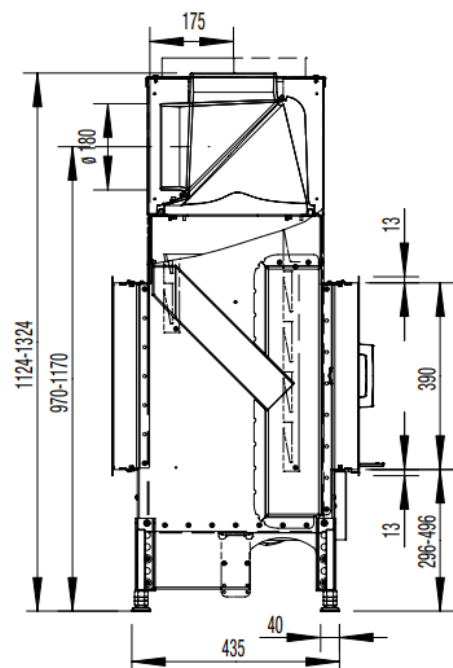
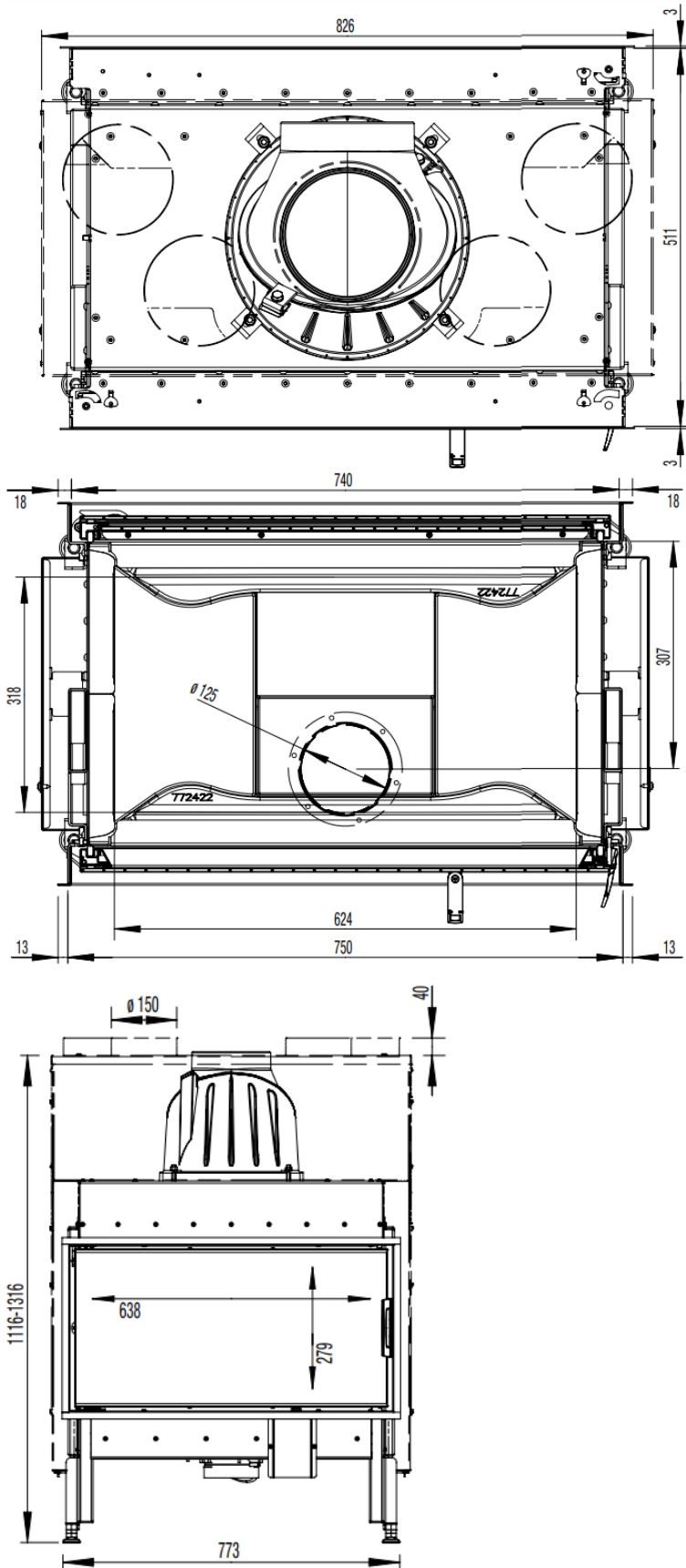


75X39-KII



[www.austroflamm.com](http://www.austroflamm.com)

# 75X39-KII



o standard

Z Accessories

- not available

**DIMENSIONS AND WEIGHTS**

Height [mm]	1124-1324
Width [mm]	773
Depth [mm]	511
Weight [kg]	130
Width (body installation dimension) [mm]	750
Door frame height [mm]	390
Flue outlet diameter [mm]	180
Insulation layer thicknesses to the installation floor [mm] (Promasil 950 KS)	20
Insulation layer thicknesses lateral / rear [mm] (Promasil 950 KS)	130
Insulation layer thicknesses to the ceiling [mm] (Promasil 950 KS)	130
Ceramic flues - max. length [m]	4

**HEAT OUTPUT**

Nominal heat efficiency [kW] lt. EN test EN 13229	10
Minimum heat output [kW] / Maximum heat output [kW]	5-14
Energy efficiency category	A+
Circulating air cross-section without / with metal secondary heating surface [cm <sup>2</sup> ]	700/1000

**FEATURES**

Hinged doors	yes
Double pane	yes

**DATA FOR THE CHIMNEY SWEEP**

Total flue gas flow [g/s]	7.26
Flue gas temperature [°C]	331
Minimum feed pressure at nominal heat efficiency [Pa]	12