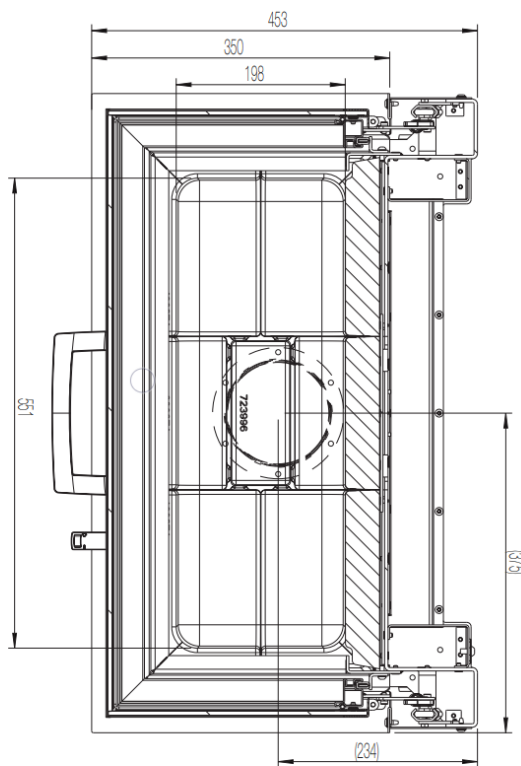
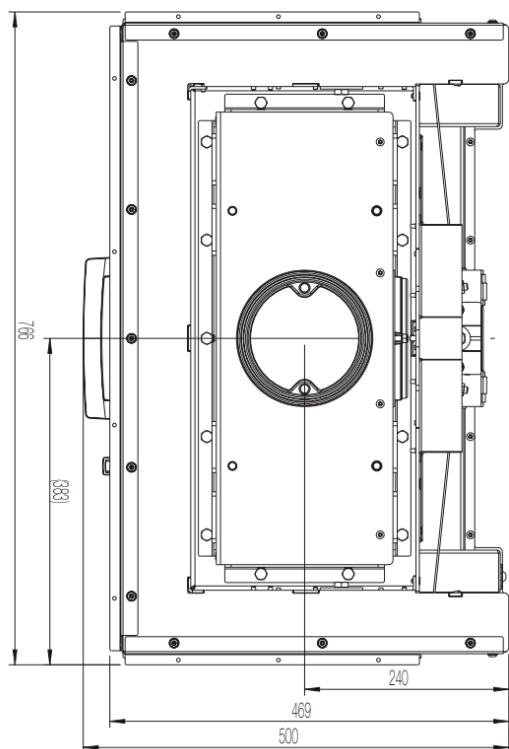
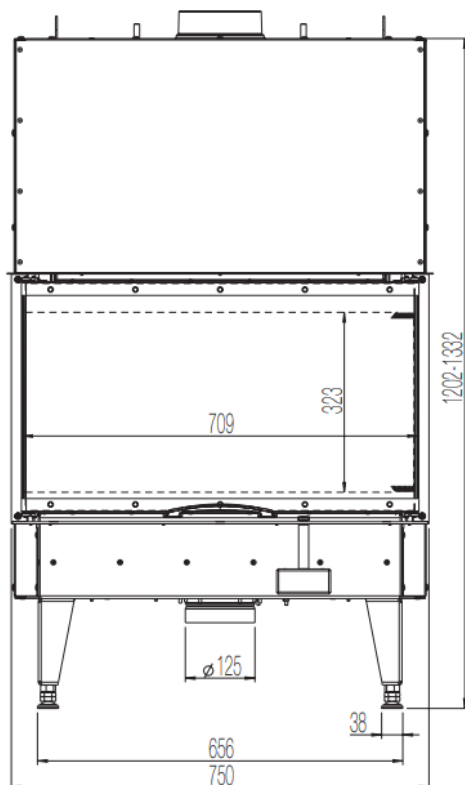
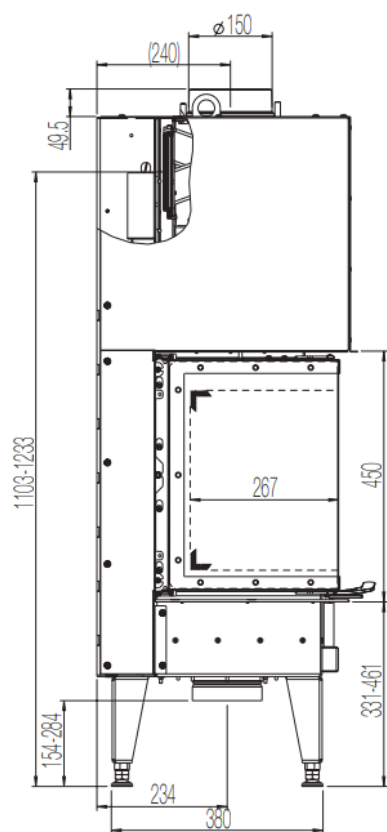


75X35X45-S3



www.austroflamm.com

75X35X45-S3



o standard

Z Accessories

- not available

DIMENSIONS AND WEIGHTS

Height [mm]	1252-1390
Width [mm]	786
Depth [mm]	469
Weight [kg]	218
Width (body installation dimension) [mm]	750
Door frame height [mm]	450
Flue outlet diameter [mm]	150
Insulation layer thicknesses to the installation floor [mm] (Promasil 950 KS)	0
Insulation layer thicknesses lateral / rear [mm] (Promasil 950 KS)	0/60
Insulation layer thicknesses to the ceiling [mm] (Promasil 950 KS)	120
Ceramic flues - max. length [m]	-

HEAT OUTPUT

Nominal heat efficiency [kW] lt. EN test EN 13229	10
Minimum heat output [kW] / Maximum heat output [kW]	5-14
Energy efficiency category	A
Circulating air cross-section without / with metal secondary heating surface [cm ²]	718

FEATURES

Double pane	x
Sliding door	yes

DATA FOR THE CHIMNEY SWEEP

Total flue gas flow [g/s]	11.49
Flue gas temperature [°C]	263
Minimum feed pressure at nominal heat efficiency [Pa]	12