

65X57-K2.0

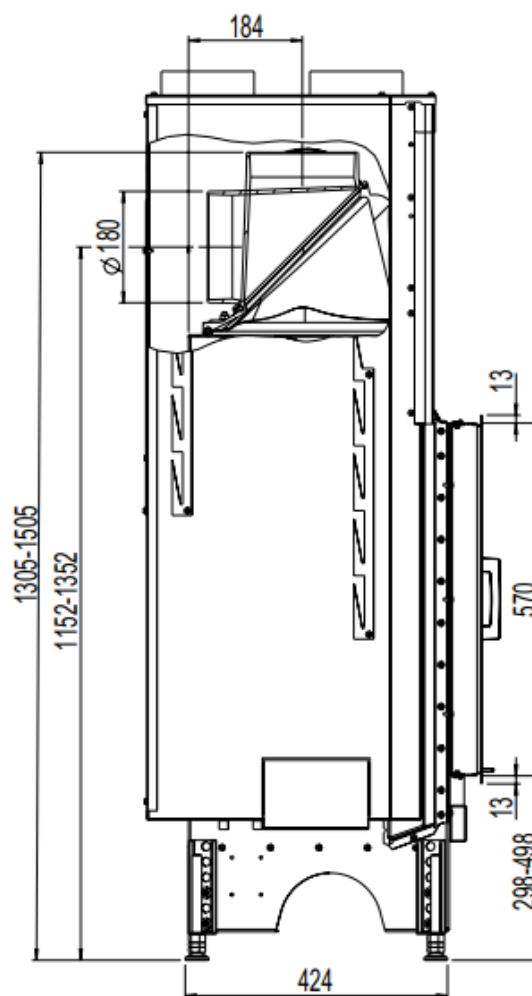
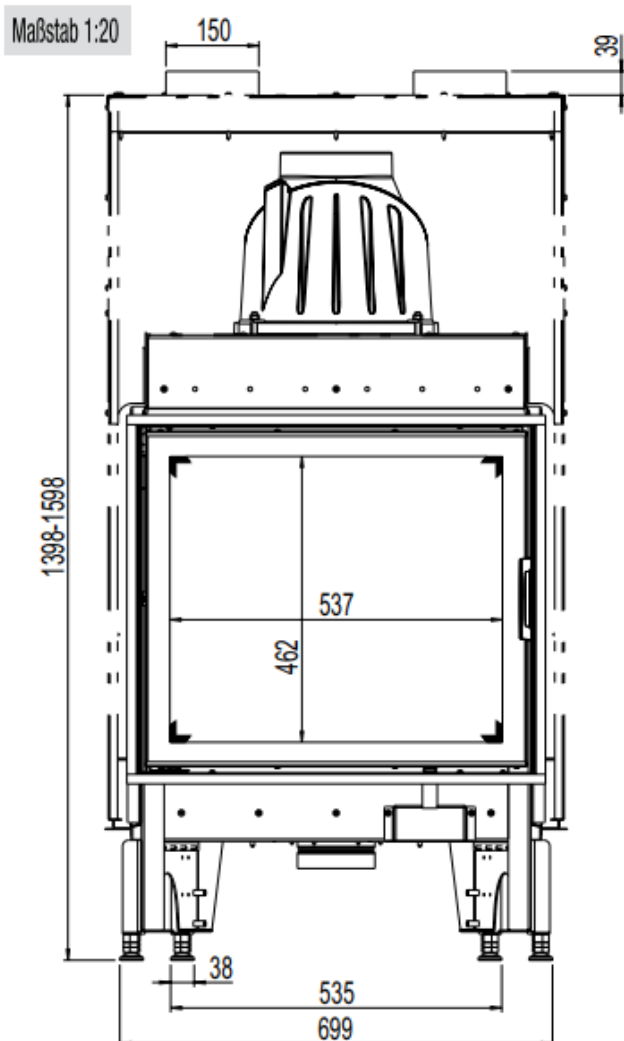


www.austroflamm.com

65X57-K2.0



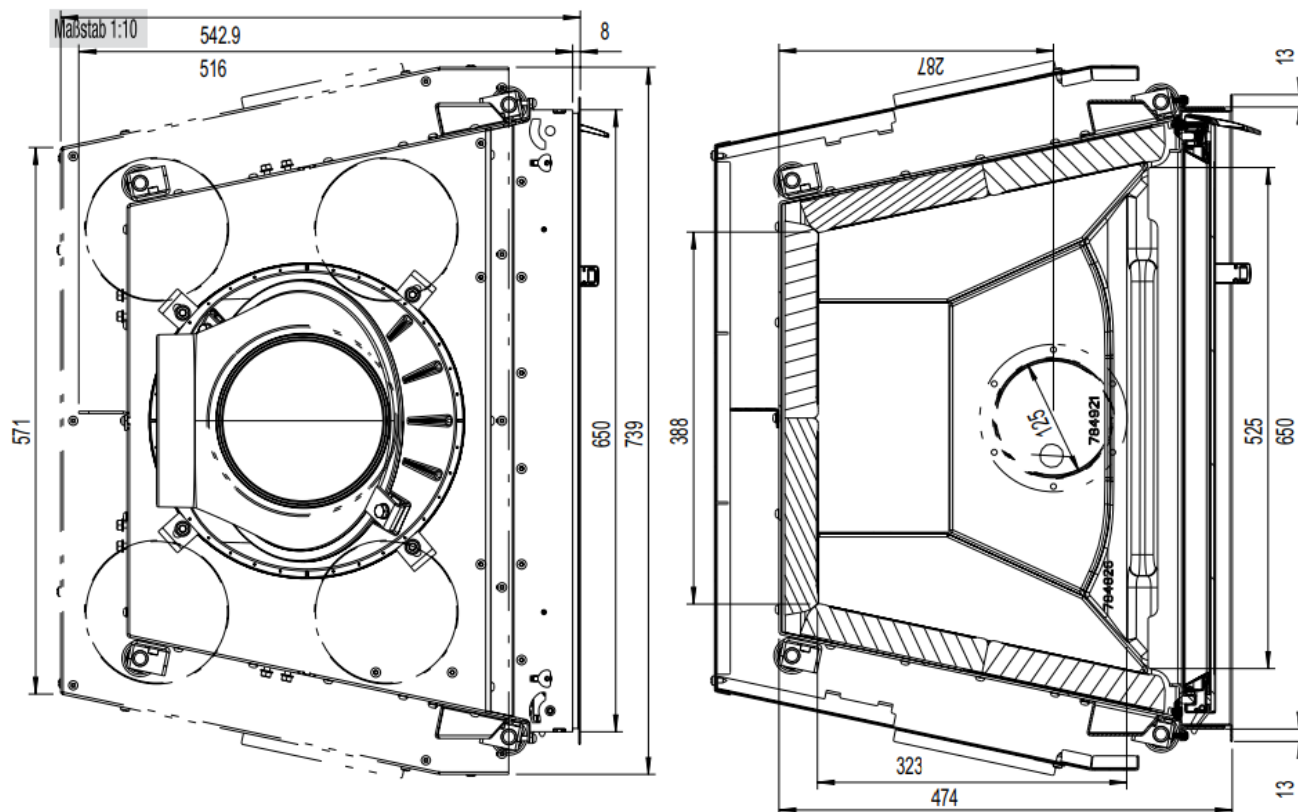
AUSTROFLAMM



o standard

Z Accessories

- not available



DIMENSIONS AND WEIGHTS

Height [mm]	1305-1505
Width [mm]	739
Depth [mm]	516
Weight [kg]	127
Width (body installation dimension) [mm]	650
Door frame height [mm]	570
Flue outlet diameter [mm]	180
Insulation layer thicknesses to the installation floor [mm] (Promasil 950 KS)	60
Insulation layer thicknesses lateral / rear [mm] (Promasil 950 KS)	90
Insulation layer thicknesses to the ceiling [mm] (Promasil 950 KS)	90
Ceramic flues - max. length [m]	4

HEAT OUTPUT

Nominal heat efficiency [kW] lt. EN test EN 13229	8
Minimum heat output [kW] / Maximum heat output [kW]	4-11
Energy efficiency category	A
Circulating air cross-section without / with metal secondary heating surface [cm ²]	700/1200

FEATURES

Hinged doors	yes
Double pane	x

DATA FOR THE CHIMNEY SWEEP

Total flue gas flow [g/s]	6.76
Flue gas temperature [°C]	317
Minimum feed pressure at nominal heat efficiency [Pa]	12