

65X45-K-2.0



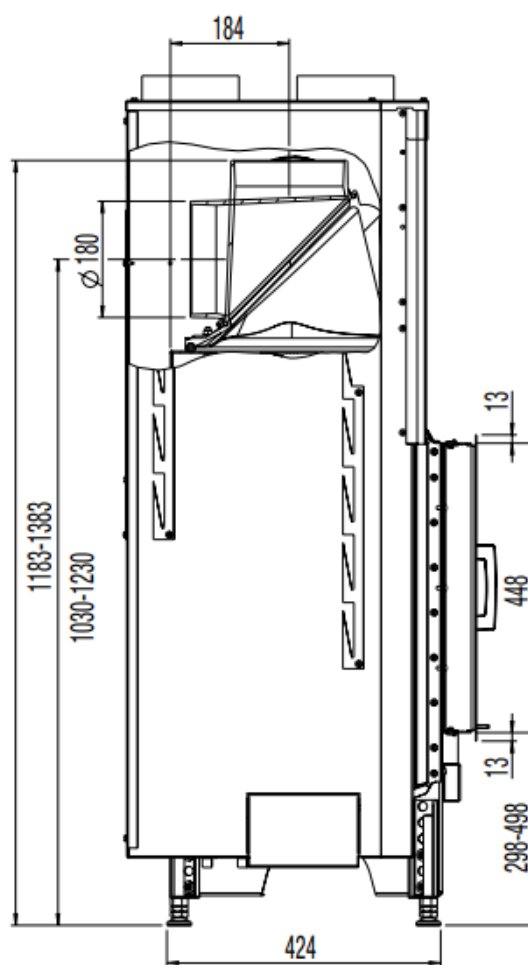
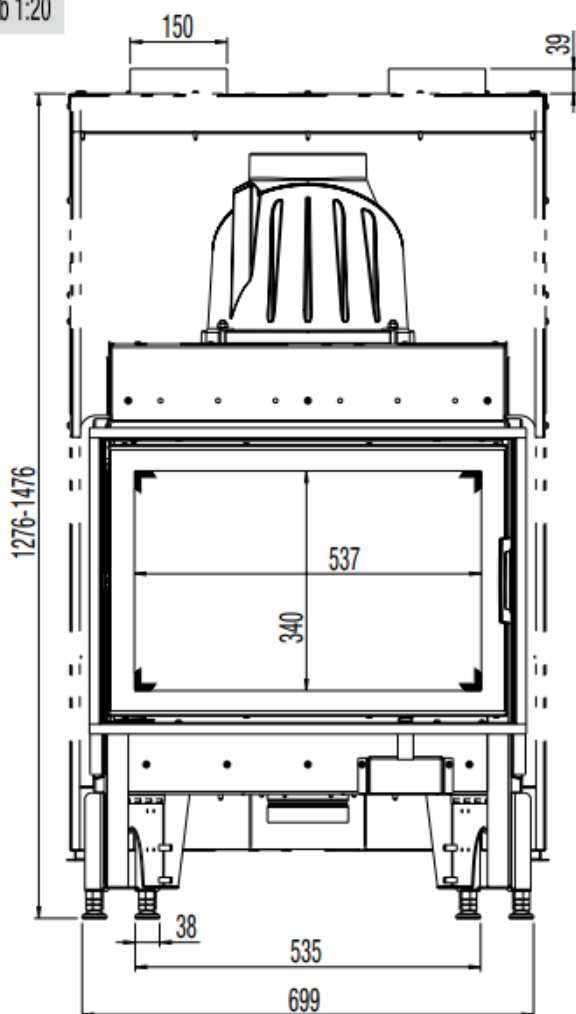
www.austroflamm.com

65X45-K-2.0



AUSTROFLAMM

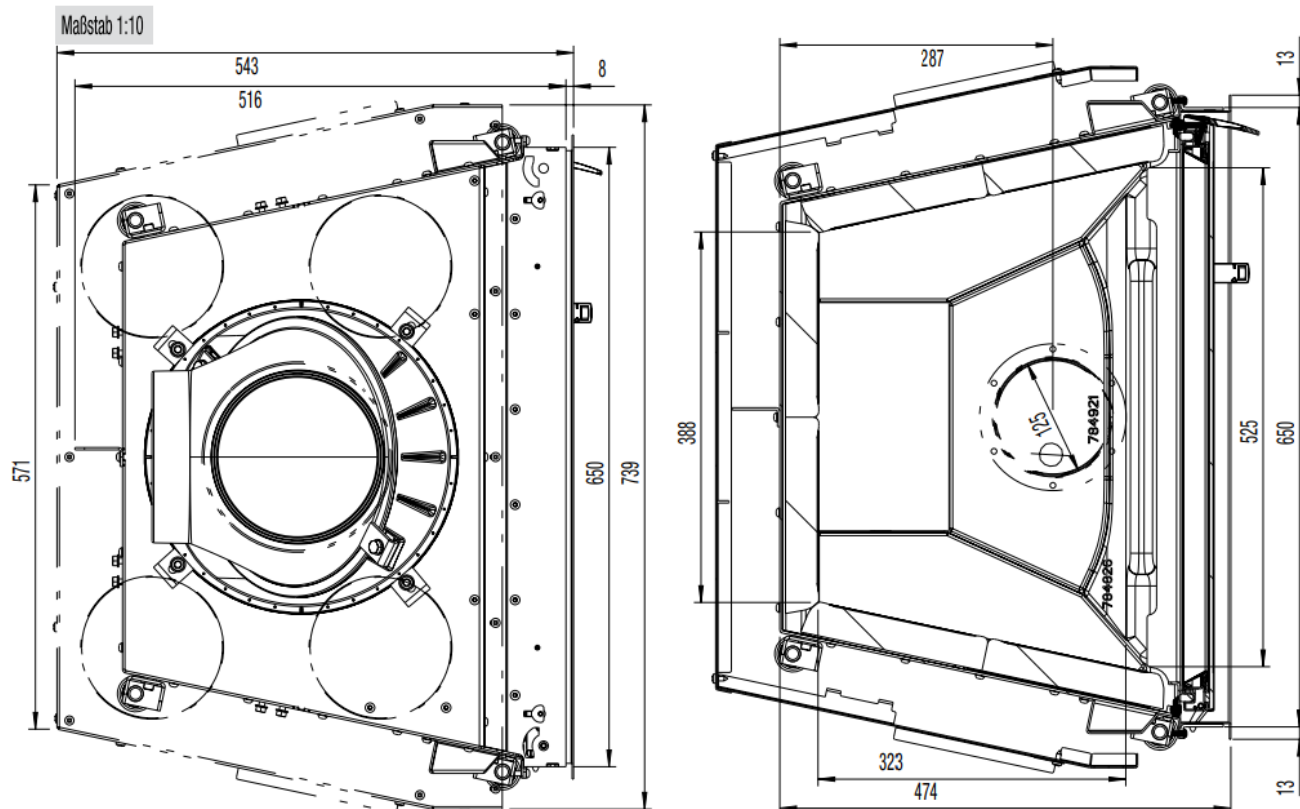
Maßstab 1:20



o standard

Z Accessories

- not available



DIMENSIONS AND WEIGHTS

Height [mm]	1183-1383
Width [mm]	739
Depth [mm]	571
Weight [kg]	114
Width (body installation dimension) [mm]	650
Door frame height [mm]	450
Flue outlet diameter [mm]	180
Insulation layer thicknesses to the installation floor [mm] (Promasil 950 KS)	60
Insulation layer thicknesses lateral / rear [mm] (Promasil 950 KS)	90
Insulation layer thicknesses to the ceiling [mm] (Promasil 950 KS)	90
Ceramic flues - max. length [m]	4

HEAT OUTPUT

Nominal heat efficiency [kW] lt. EN test EN 13229	8
Minimum heat output [kW] / Maximum heat output [kW]	4-11
Energy efficiency category	A
Circulating air cross-section without / with metal secondary heating surface [cm ²]	700/1200

FEATURES

Hinged doors	yes
Double pane	x

DATA FOR THE CHIMNEY SWEEP

Total flue gas flow [g/s]	7.32
Flue gas temperature [°C]	283
Minimum feed pressure at nominal heat efficiency [Pa]	12