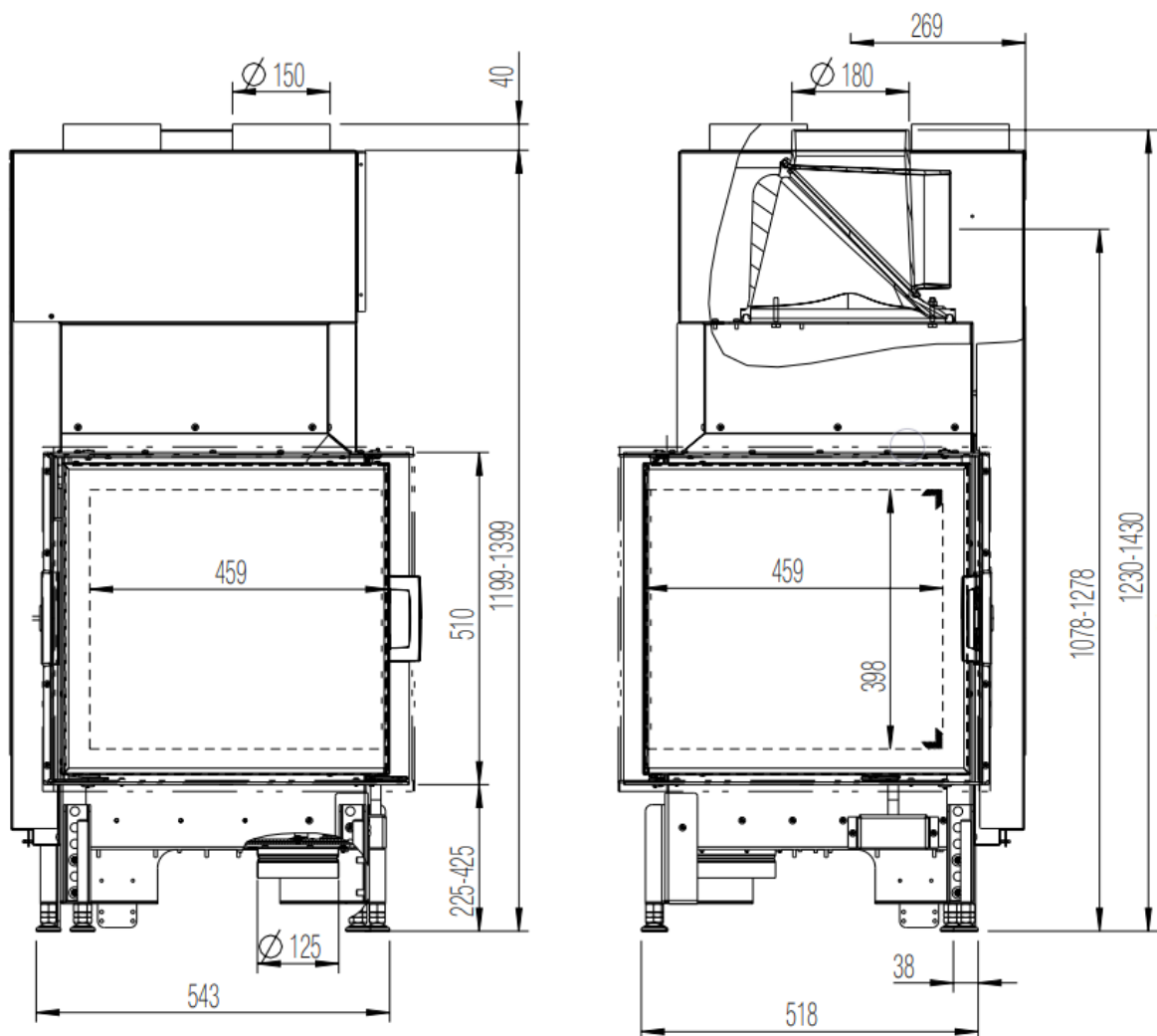


55X55X51-K-2.0



[www.austroflamm.com](http://www.austroflamm.com)

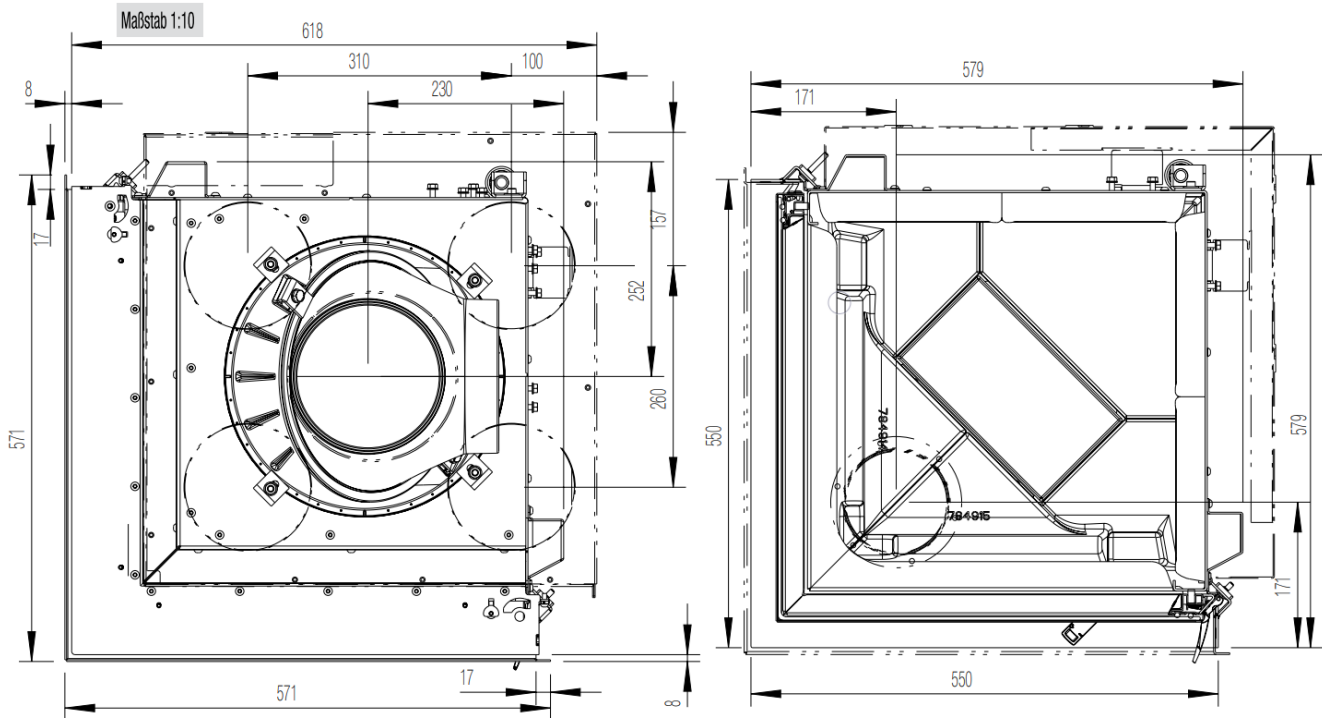
# 55X55X51-K-2.0



o standard

Z Accessories

- not available



## DIMENSIONS AND WEIGHTS

Height [mm]	1230-1430
Width [mm]	579
Depth [mm]	579
Weight [kg]	105
Width (body installation dimension) [mm]	550
Door frame height [mm]	510
Flue outlet diameter [mm]	180
Insulation layer thicknesses to the installation floor [mm] (Promasil 950 KS)	0
Insulation layer thicknesses lateral / rear [mm] (Promasil 950 KS)	60
Insulation layer thicknesses to the ceiling [mm] (Promasil 950 KS)	60
Ceramic flues - max. length [m]	4

## HEAT OUTPUT

Nominal heat efficiency [kW] lt. EN test EN 13229	7
Minimum heat output [kW] / Maximum heat output [kW]	3.5-9
Energy efficiency category	A
Circulating air cross-section without / with metal secondary heating surface [cm <sup>2</sup> ]	700/1000

## FEATURES

Hinged doors	yes
Double pane	x

## DATA FOR THE CHIMNEY SWEEP

Total flue gas flow [g/s]	7.5
Flue gas temperature [°C]	330
Minimum feed pressure at nominal heat efficiency [Pa]	14