

45X68-K-2.0



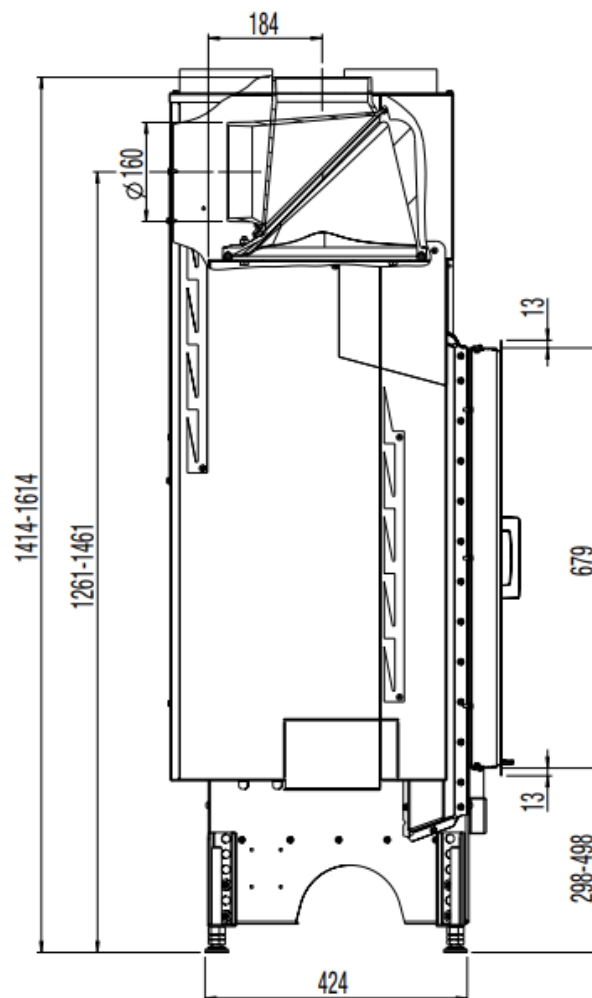
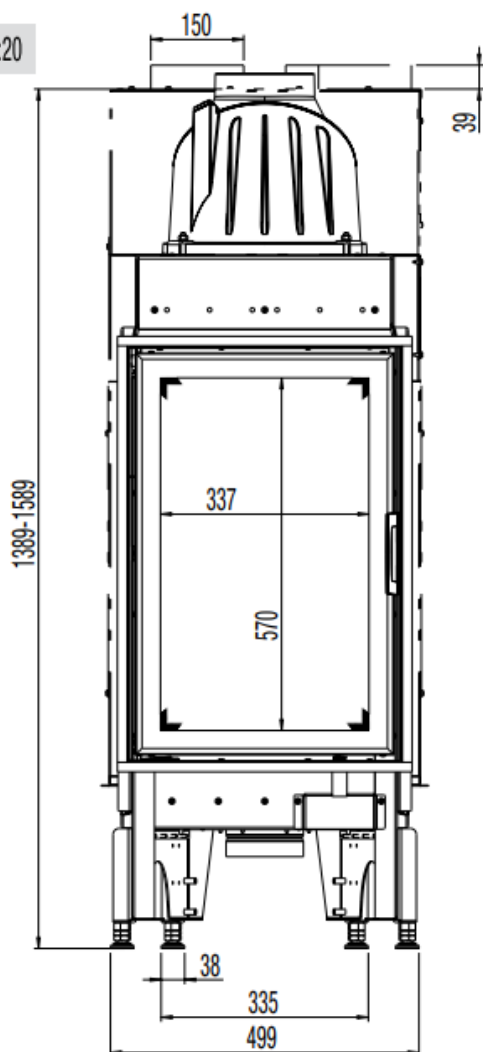
www.austroflamm.com

45X68-K-2.0



AUSTROFLAMM

Maßstab 1:20

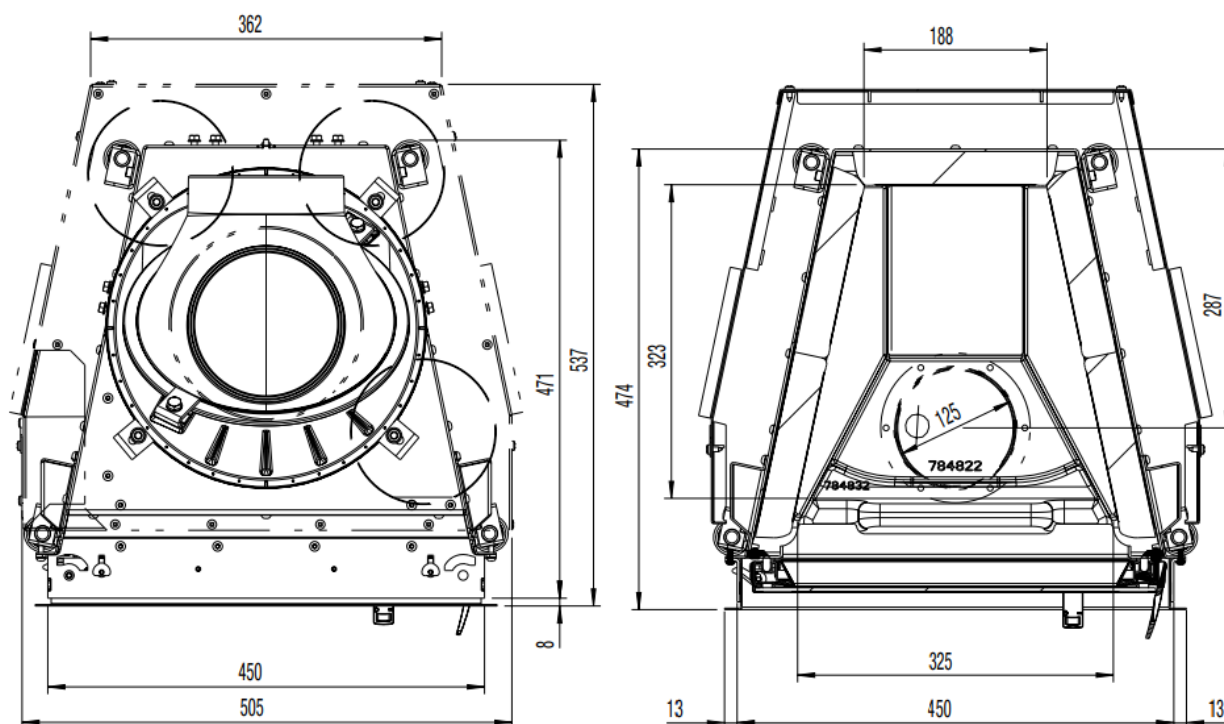


o standard

Z Accessories

- not available

Maßstab 1:10



DIMENSIONS AND WEIGHTS

Height [mm]	1415-1615
Width [mm]	505
Depth [mm]	471
Weight [kg]	110
Width (body installation dimension) [mm]	450
Door frame height [mm]	680
Flue outlet diameter [mm]	160
Insulation layer thicknesses to the installation floor [mm] (Promasil 950 KS)	60
Insulation layer thicknesses lateral / rear [mm] (Promasil 950 KS)	90
Insulation layer thicknesses to the ceiling [mm] (Promasil 950 KS)	90
Ceramic flues - max. length [m]	3

HEAT OUTPUT

Nominal heat efficiency [kW] lt. EN test EN 13229	6
Minimum heat output [kW] / Maximum heat output [kW]	3.5-8
Energy efficiency category	A+
Circulating air cross-section without / with metal secondary heating surface [cm ²]	700/1000

FEATURES

Hinged doors	yes
Double pane	x

DATA FOR THE CHIMNEY SWEEP

Total flue gas flow [g/s]	5.2
Flue gas temperature [°C]	387
Minimum feed pressure at nominal heat efficiency [Pa]	12