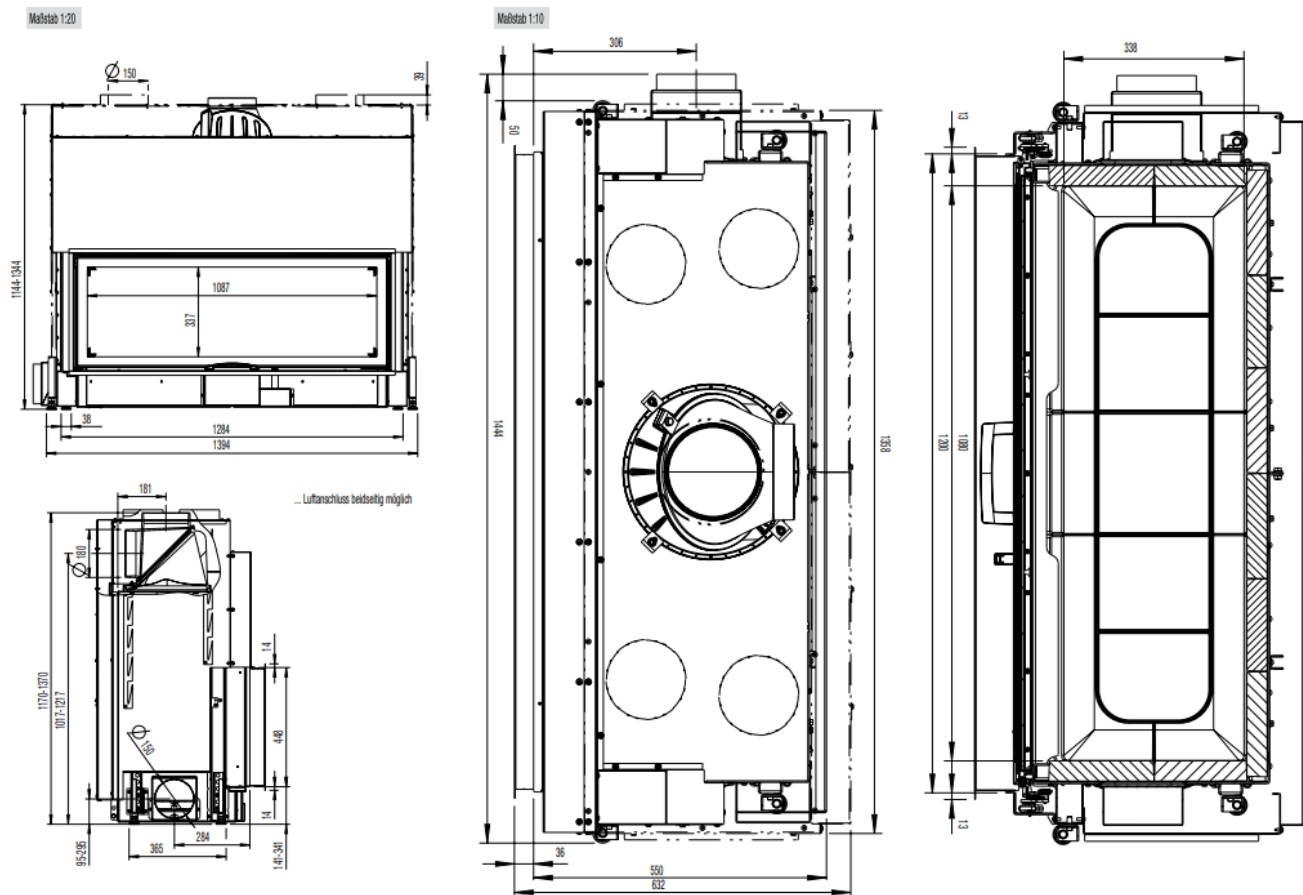


120X45-S-2.0



www.austroflamm.com



DIMENSIONS AND WEIGHTS

Height [mm]	1170-1370
Width [mm]	1444
Depth [mm]	550
Weight [kg]	316
Width (body installation dimension) [mm]	1200
Door frame height [mm]	450
Flue outlet diameter [mm]	180
Insulation layer thicknesses to the installation floor [mm] (Promasil 950 KS)	30
Insulation layer thicknesses lateral / rear [mm] (Promasil 950 KS)	100
Insulation layer thicknesses to the ceiling [mm] (Promasil 950 KS)	120
Ceramic flues - max. length [m]	4

HEAT OUTPUT

Nominal heat efficiency [kW] lt. EN test EN 13229	13
Minimum heat output [kW] - Maximum heat output [kW]	6-17
Energy efficiency category	A+
Combustion air requirement [m³/h]	-
Circulating air cross-section without / with metal secondary heating surface [cm²]	1000/1300
Hypocausts according to technical regulations	-

FEATURES

Hinged doors	yes
Sliding door	-
Double pane	yes



DATA FOR THE CHIMNEY SWEEP

Total flue gas flow [g/s]	14.88
Flue gas temperature [°C]	254
Minimum feed pressure at nominal heat efficiency [Pa]	13