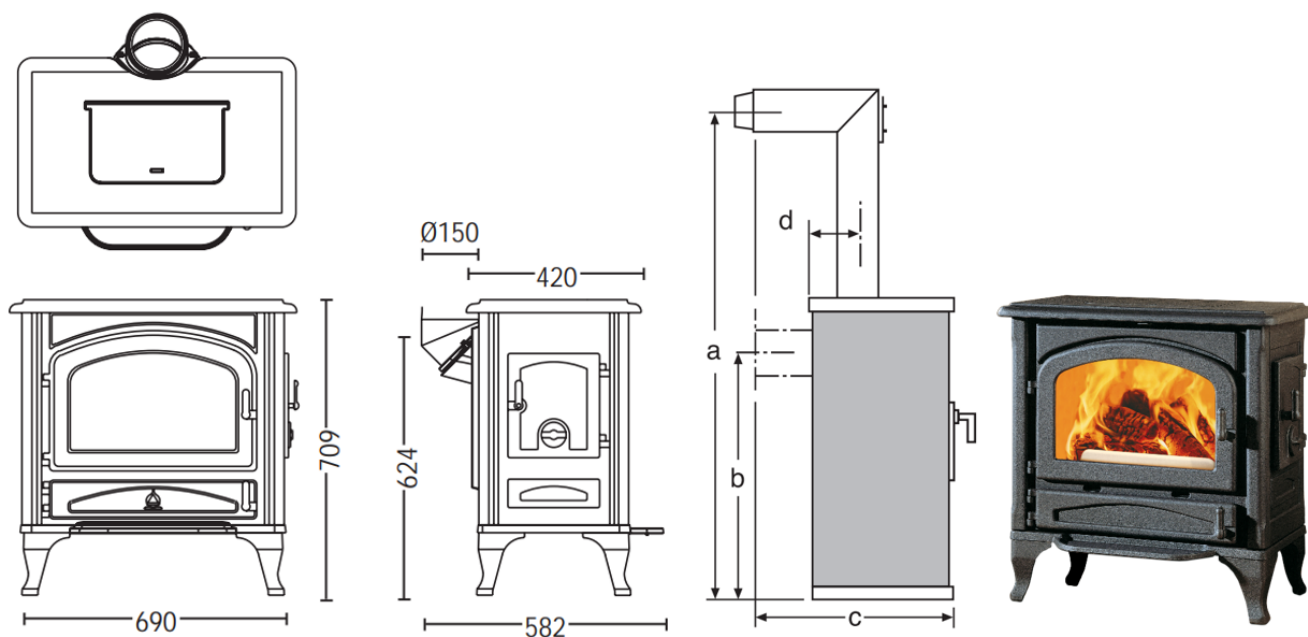


WIEN



[www.austroflamm.com](http://www.austroflamm.com)



## DIMENSIONS AND WEIGHTS

Height [mm]	709
Width [mm]	690
Depth [mm]	582
Combustion chamber (h x w x d) [mm]	315 x 510 x 250
STM weight [kg]	160
Flue outlet diameter [mm]	150
Flue outlet diameter, middle [mm]	624

## HEAT OUTPUT

Nominal heat output under EN 13240 [kW]	6
Min. / max. heat output [kW]	4 / 9
Space heating capacity (depending on the building insulation)[m³]	65 - 165
Energy efficiency category	A

## FEATURES

XTRA heat-storing technology	-
Design A1	-
Ash drawer / ash box	-
Dimensions a, b, c, d [mm]	1277 / 667 / 870 / -33
external air connection / operation independent of ambient air	-

## DATA FOR THE CHIMNEY SWEEP

Total flue gas flow, closed [g/s]	6.1
Flue gas temperature, closed [°C]	314
Minimum feed pressure at nominal heat efficiency, closed [Pa]	11
at 0.8 times nominal heat efficiency [Pa]	9