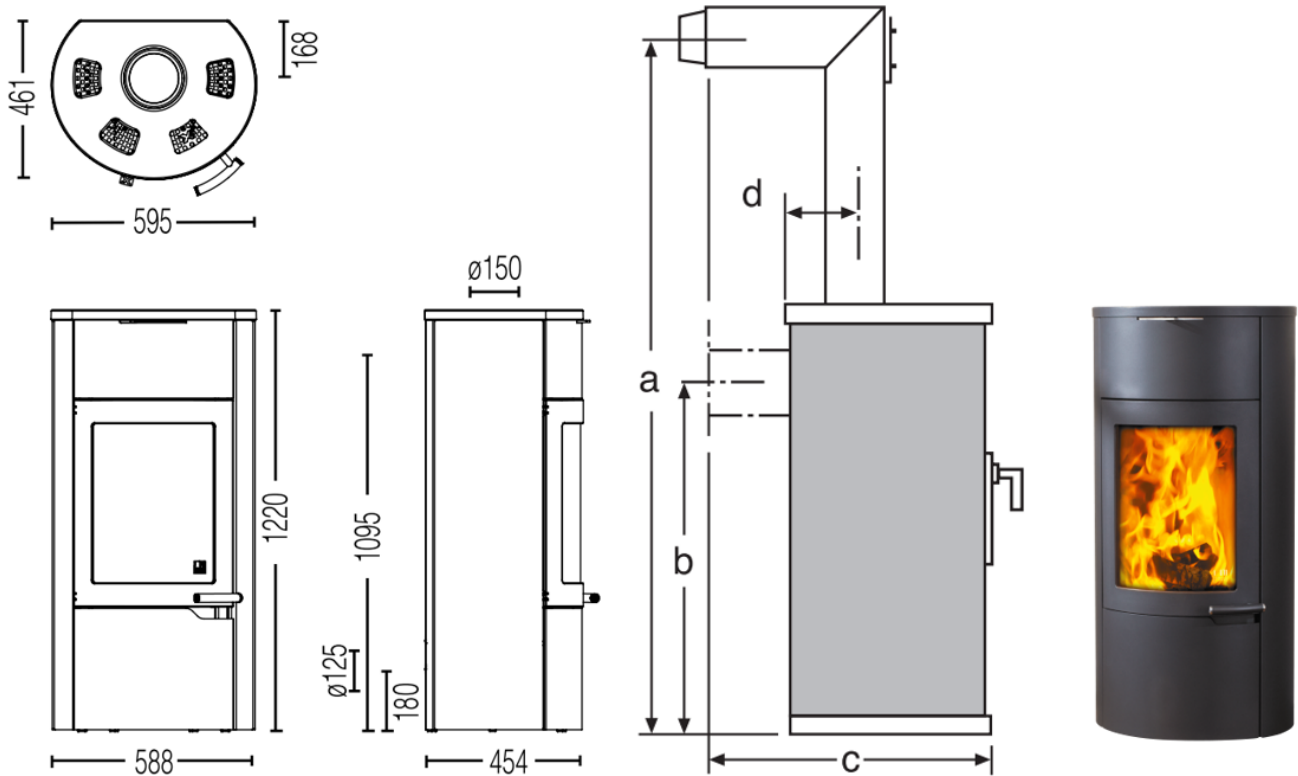


# UNO XTRA



[www.austroflamm.com](http://www.austroflamm.com)



## DIMENSIONS AND WEIGHTS

Steel jacket (STM) h x w x d [mm]	1220 x 588 x 545
Ceramic jacket (KMG) h x w x d [mm]	1220 x 588 x 545
Soapstone jacket (SPM) h x w x d [mm]	1220 x 588 x 545
Combustion chamber (h x w x d) [mm]	497 x 363 x 275
STM weight [kg]	252 / 283 / 312
Flue outlet diameter [mm]	150
Flue outlet diameter, middle [mm]	1095

## HEAT OUTPUT

Nominal heat output under EN 13240 [kW]	7
Min. / max. heat output [kW]	3.5 / 9
Space heating capacity (depending on the building insulation)[m³]	82 - 120
Energy efficiency category	A

## FEATURES

XTRA heat-storing technology	o
Design A1	o
Ash drawer / ash box	-
Dimensions a, b, c, d [mm]	1756 / 1095 / 651 / 168
external air connection / operation independent of ambient air	behind

## DATA FOR THE CHIMNEY SWEEP

Total flue gas flow, closed [g/s]	6.5
Flue gas temperature, closed [°C]	300
Minimum feed pressure at nominal heat efficiency, closed [Pa]	12
at 0.8 times nominal heat efficiency [Pa]	10