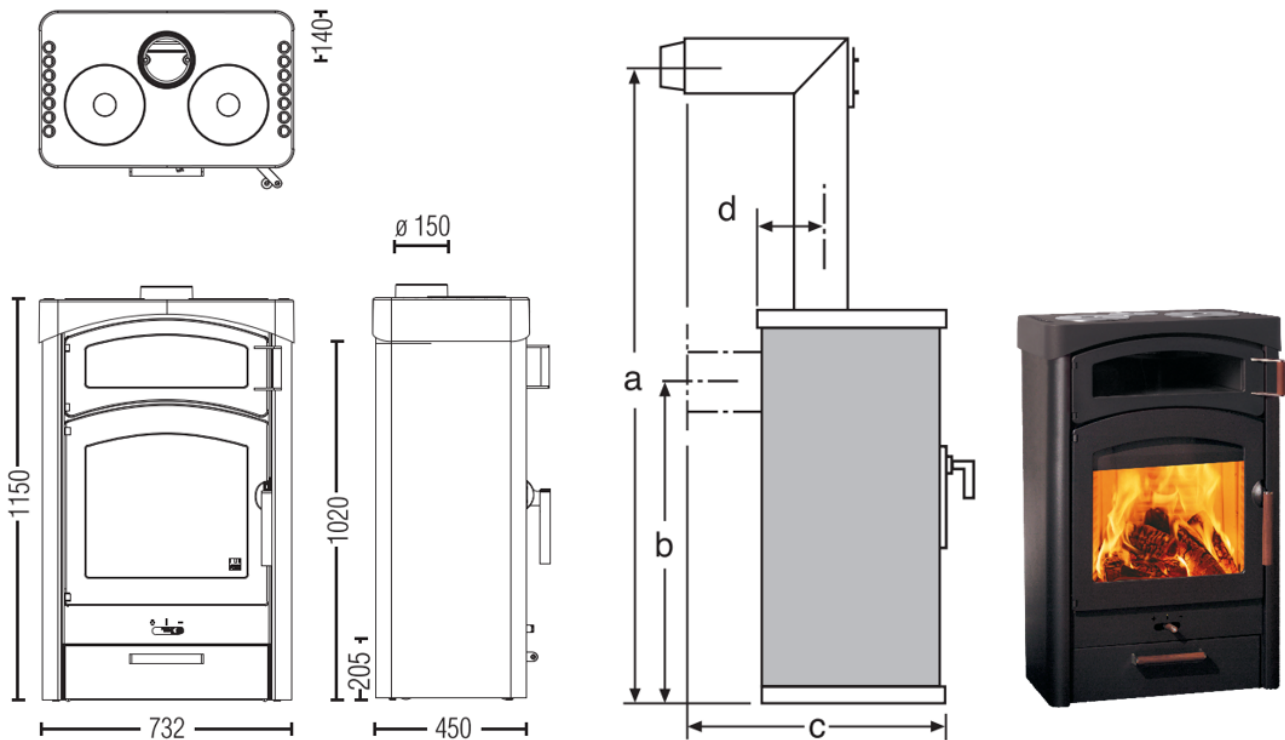


PALLAS BACK





DIMENSIONS AND WEIGHTS

Steel jacket (STM) h x w x d [mm]	1150 x 732 x 450
Ceramic jacket (KMG) h x w x d [mm]	1150 x 732 x 450
Soapstone jacket (SPM) h x w x d [mm]	1150 x 732 x 450
Combustion chamber (h x w x d) [mm]	350 x 520 x 225
STM weight [kg]	207 / 225 / 325
Flue outlet diameter [mm]	150
Flue outlet diameter, middle [mm]	1020
Baking compartment [mm]	464 x 302 x 180

HEAT OUTPUT

Nominal heat output under EN 13240 [kW]	9
Min. / max. heat output [kW]	4.5 / 13
Space heating capacity (depending on the building insulation)[m³]	114 - 305
Energy efficiency category	A

FEATURES

XTRA heat-storing technology	-
Design A1	o
Ash drawer / ash box	Z
Dimensions a, b, c, d [mm]	1723 / 1020 / 663 / 140
external air connection / operation independent of ambient air	o behind

DATA FOR THE CHIMNEY SWEEP

Total flue gas flow, closed [g/s]	9.2
Flue gas temperature, closed [°C]	310
Minimum feed pressure at nominal heat efficiency, closed [Pa]	12
at 0.8 times nominal heat efficiency [Pa]	10