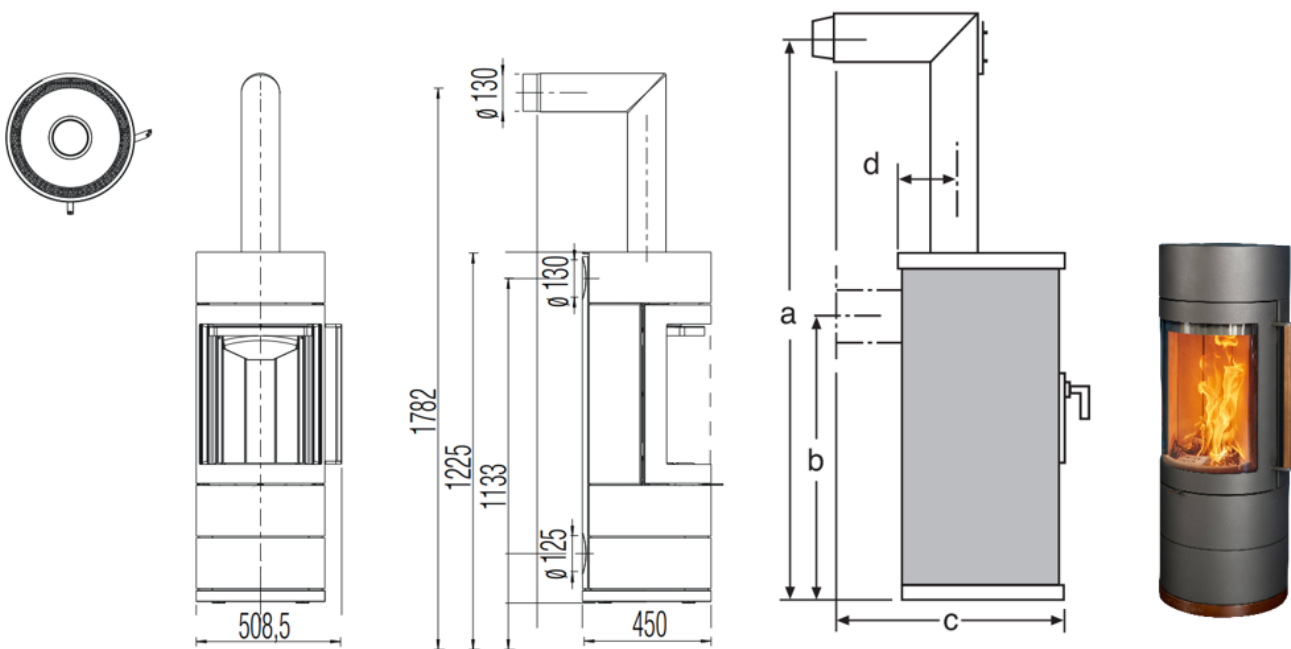


LUX



www.austroflamm.com



DIMENSIONS AND WEIGHTS

Height [mm]	1225
Width [mm]	450
Depth [mm]	450
Combustion chamber (h x w x d) [mm]	525 x 291 x 291
STM weight [kg]	133
Flue outlet diameter [mm]	130
Flue outlet diameter, middle [mm]	1133

HEAT OUTPUT

Nominal heat output under EN 13240 [kW]	7
Min. / max. heat output [kW]	3.5 / 9
Space heating capacity (depending on the building insulation)[m³]	82 - 210
Energy efficiency category	A+

FEATURES

XTRA heat-storing technology	-
Design A1	o
Ash drawer / ash box	o
Dimensions a, b, c, d [mm]	1782 / 1133 / 608 / 225
external air connection / operation independent of ambient air	o behind or below

DATA FOR THE CHIMNEY SWEEP

Total flue gas flow, closed [g/s]	6.1
Flue gas temperature, closed [°C]	273
Minimum feed pressure at nominal heat efficiency, closed [Pa]	12
at 0.8 times nominal heat efficiency [Pa]	10