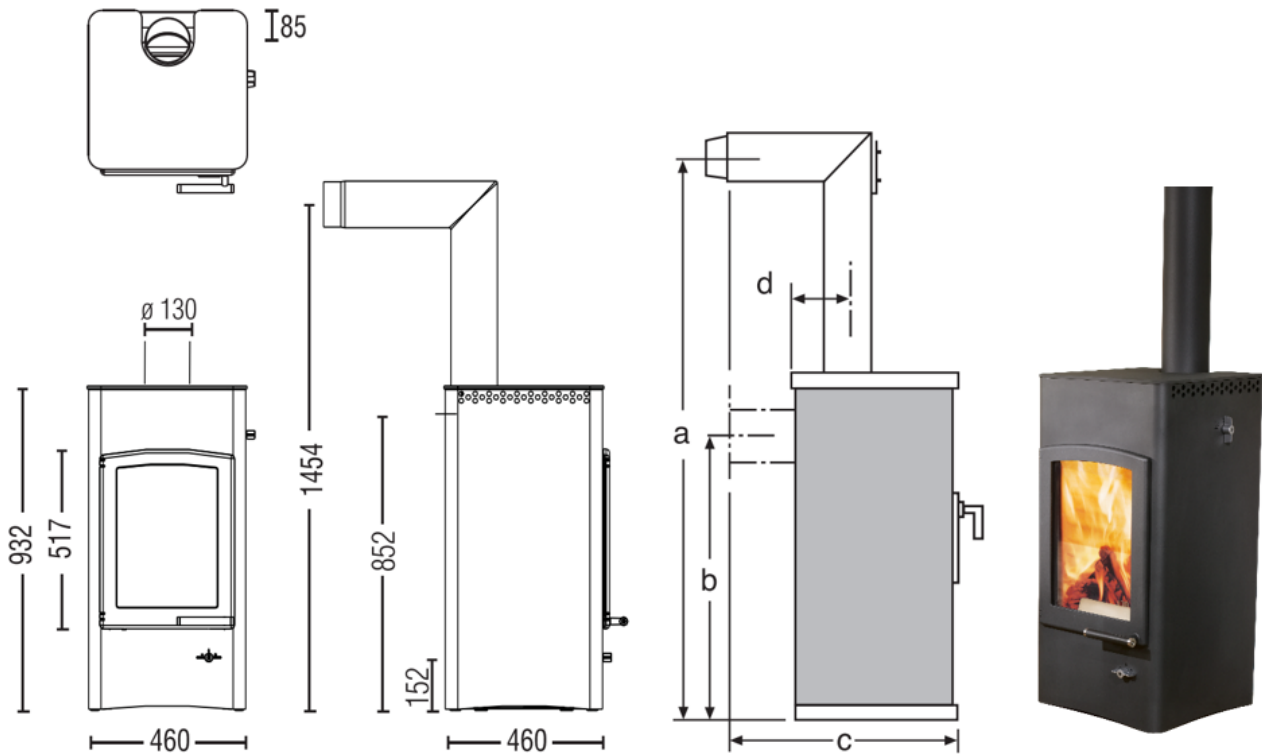


LUCY COOK





DIMENSIONS AND WEIGHTS

Height [mm]	932
Width [mm]	460
Depth [mm]	460
Combustion chamber (h x w x d) [mm]	471 x 302 x 239
STM weight [kg]	150
Flue outlet diameter [mm]	130
Flue outlet diameter, middle [mm]	852

HEAT OUTPUT

Nominal heat output under EN 13240 [kW]	6
Min. / max. heat output [kW]	3.5 / 8
Space heating capacity (depending on the building insulation)[m³]	65 - 165
Energy efficiency category	A+

FEATURES

XTRA heat-storing technology	-
Design A1	o
Ash drawer / ash box	o
Dimensions a, b, c, d [mm]	1454 / 852 / 741 / 85
external air connection / operation independent of ambient air	o behind

DATA FOR THE CHIMNEY SWEEP

Total flue gas flow, closed [g/s]	4.9
Flue gas temperature, closed [°C]	290
Minimum feed pressure at nominal heat efficiency, closed [Pa]	12
at 0.8 times nominal heat efficiency [Pa]	10