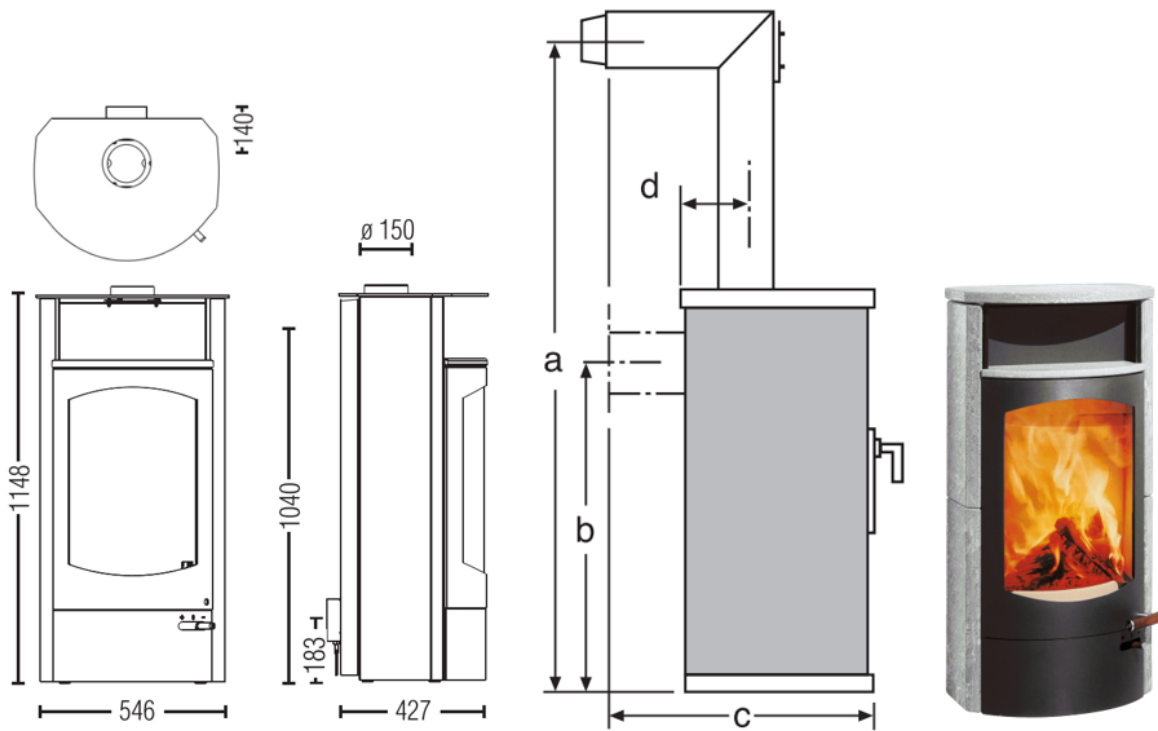


KOKO 2.0





DIMENSIONS AND WEIGHTS

Steel jacket (STM) h x w x d [mm]	1148 x 546 x 427
Ceramic jacket (KMG) H x B x D[mm]	-
Soapstone jacket (SPM) H x B x D[mm]	1148 x 546 x 427
Combustion chamber (h x w x d) [mm]	490 x 388 x 267
STM weight [kg]	152 / - / 177
Flue outlet diameter [mm]	150
Flue outlet diameter, middle [mm]	1040

HEAT OUTPUT

Nominal heat output under EN 13240 [kW]	6
Min. / max. heat output [kW]	3.5 / 8
Space heating capacity (depending on the building insulation)[m³]	65 - 165
Energy efficiency category	A

FEATURES

XTRA heat-storing technology	-
Design A1	o
Ash drawer / ash box	o
Dimensions a, b, c, d [mm]	1699 x 1040 x 665 x 140
external air connection / operation independent of ambient air	o

DATA FOR THE CHIMNEY SWEEP

Total flue gas flow, closed [g/s]	4.4
Flue gas temperature, closed [°C]	331
Minimum feed pressure at nominal heat efficiency, closed [Pa]	12
at 0.8 times nominal heat efficiency [Pa]	10