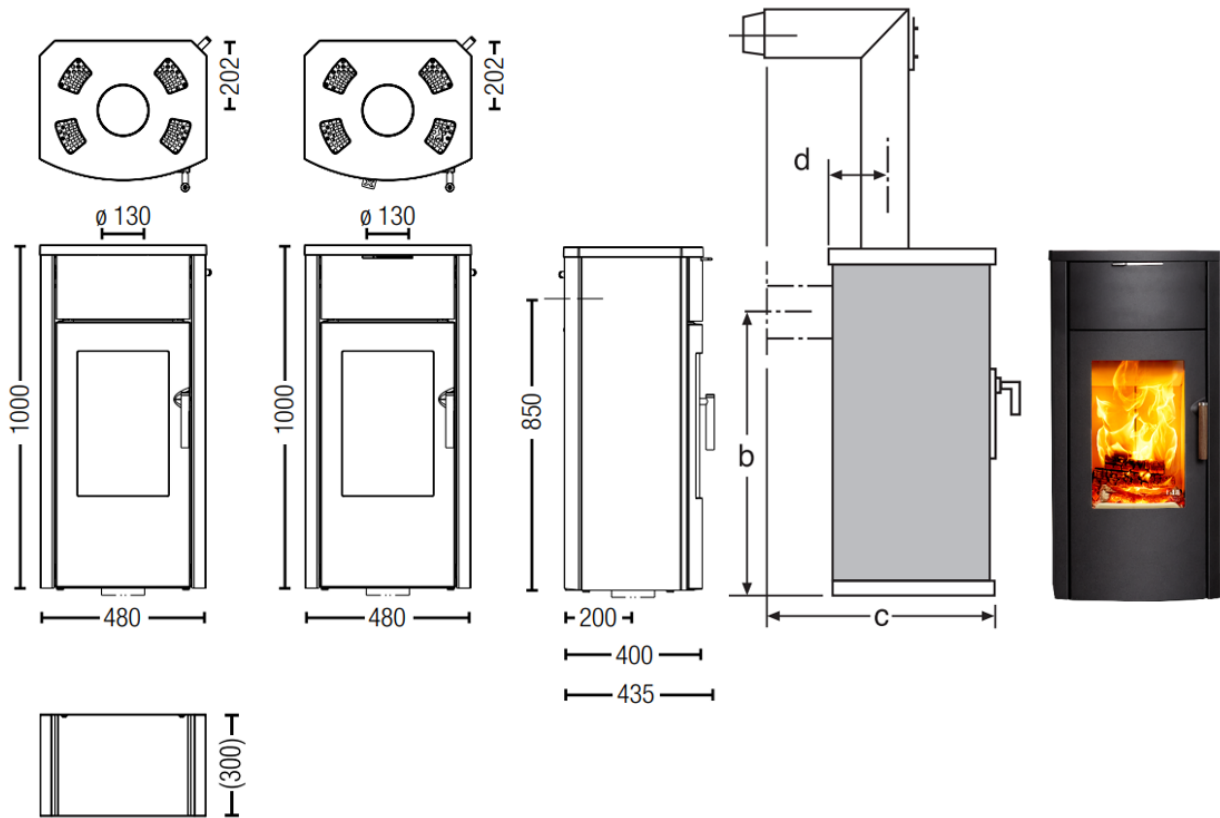


# JINI XTRA



[www.austroflamm.com](http://www.austroflamm.com)



## DIMENSIONS AND WEIGHTS

Height [mm]	1000
Width [mm]	480
Depth [mm]	400
Combustion chamber (h x w x d) [mm]	379 x 282 x 224
STM weight [kg]	226
Flue outlet diameter [mm]	130
Flue outlet diameter, middle [mm]	1000

## HEAT OUTPUT

Nominal heat output under EN 13240 [kW]	4
Min. / max. heat output [kW]	2.5 / 6
Space heating capacity (depending on the building insulation)[m³]	34-88
Energy efficiency category	A+

## FEATURES

XTRA heat-storing technology	o
Design A1	o
Ash pan	o
Dimensions a, b, c, d [mm]	1518 / 850 / 583 / 202
external air connection / operation independent of ambient air	o below

## DATA FOR THE CHIMNEY SWEEP

Total flue gas flow, closed [g/s]	3.7
Flue gas temperature, closed [°C]	317
Minimum feed pressure at nominal heat efficiency, closed [Pa]	10
at 0.8 times nominal heat efficiency [Pa]	8