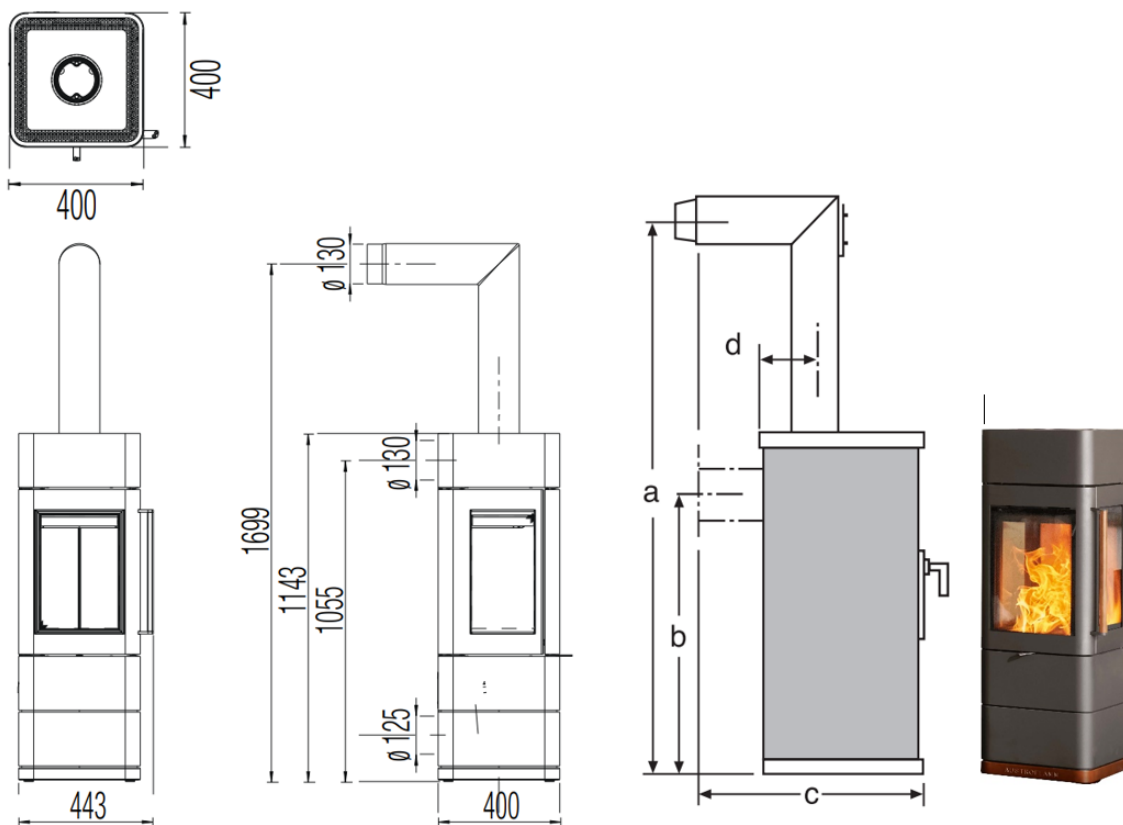


IVY



www.austroflamm.com



DIMENSIONS AND WEIGHTS

Height [mm]	1143
Width [mm]	443
Depth [mm]	400
Combustion chamber (h x w x d) [mm]	439 x 267 x 228
STM weight [kg]	125
Flue outlet diameter [mm]	130
Flue outlet diameter, middle [mm]	1055

HEAT OUTPUT

Nominal heat output under EN 13240 [kW]	5
Min. / max. heat output [kW]	2.5 / 7.0
Space heating capacity (depending on the building insulation)[m³]	48-124
Energy efficiency category	A+

FEATURES

XTRA heat-storing technology	-
Design A1	-
Ash drawer / ash box	o
Dimensions a, b, c, d [mm]	1699 / 1055 / 583 / 200
external air connection / operation independent of ambient air	o behind or below

DATA FOR THE CHIMNEY SWEEP

Total flue gas flow, closed [g/s]	4.2
Flue gas temperature, closed [°C]	263
Minimum feed pressure at nominal heat efficiency, closed [Pa]	12
at 0.8 times nominal heat efficiency [Pa]	10