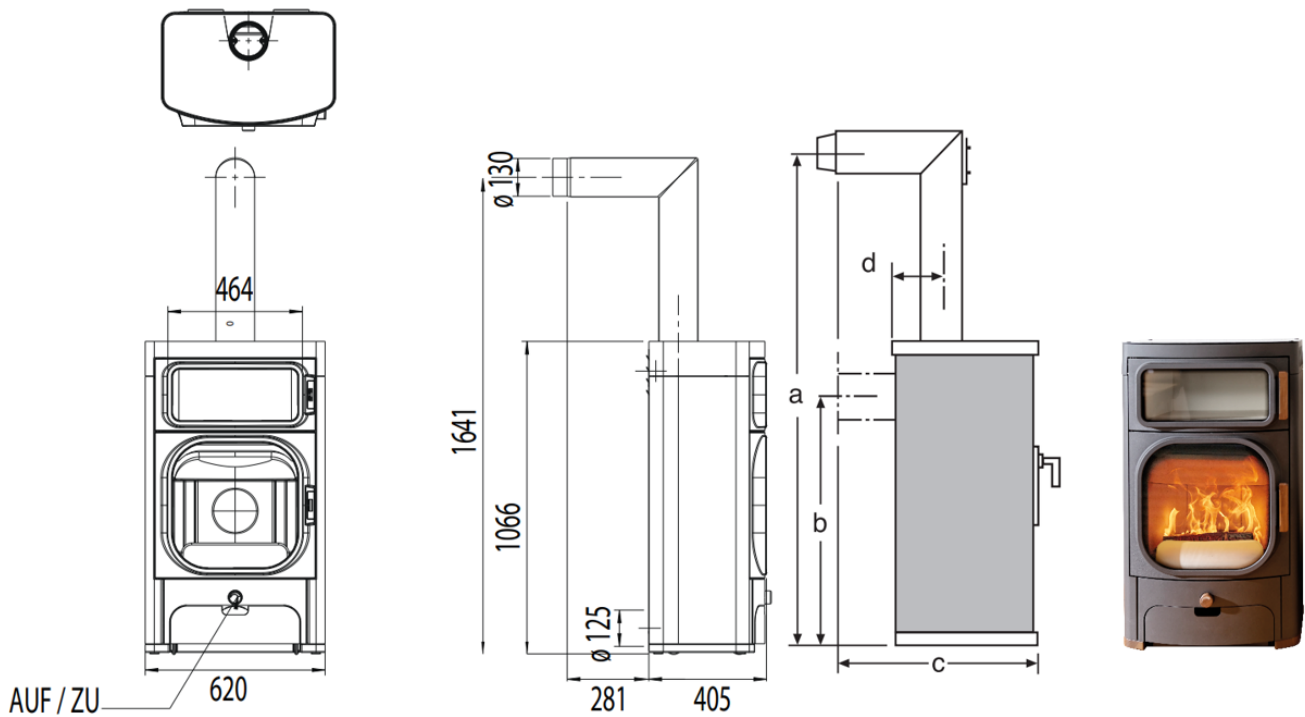


HEIDI BACK



www.austroflamm.com



DIMENSIONS AND WEIGHTS

Height [mm]	1066
Width [mm]	620
Depth [mm]	405
Combustion chamber (h x w x d) [mm]	376 x 418 x 270
STM weight [kg]	173
Flue outlet diameter [mm]	130
Flue outlet diameter, middle [mm]	974
Baking compartment [mm]	415 x 300

HEAT OUTPUT

Nominal heat output under EN 13240 [kW]	7
Min. / max. heat output [kW]	3.5 / 9
Space heating capacity (depending on the building insulation)[m ³]	81-210
Energy efficiency category	A+

FEATURES

XTRA heat-storing technology	-
Design A1	-
Ash drawer / ash box	o
Dimensions a, b, c, d [mm]	1641 / 974 / 687 / 102
external air connection / operation independent of ambient air	o behind or below

DATA FOR THE CHIMNEY SWEEP

Total flue gas flow, closed [g/s]	6.41
Flue gas temperature, closed [°C]	262
Minimum feed pressure at nominal heat efficiency, closed [Pa]	10
at 0.8 times nominal heat efficiency [Pa]	8