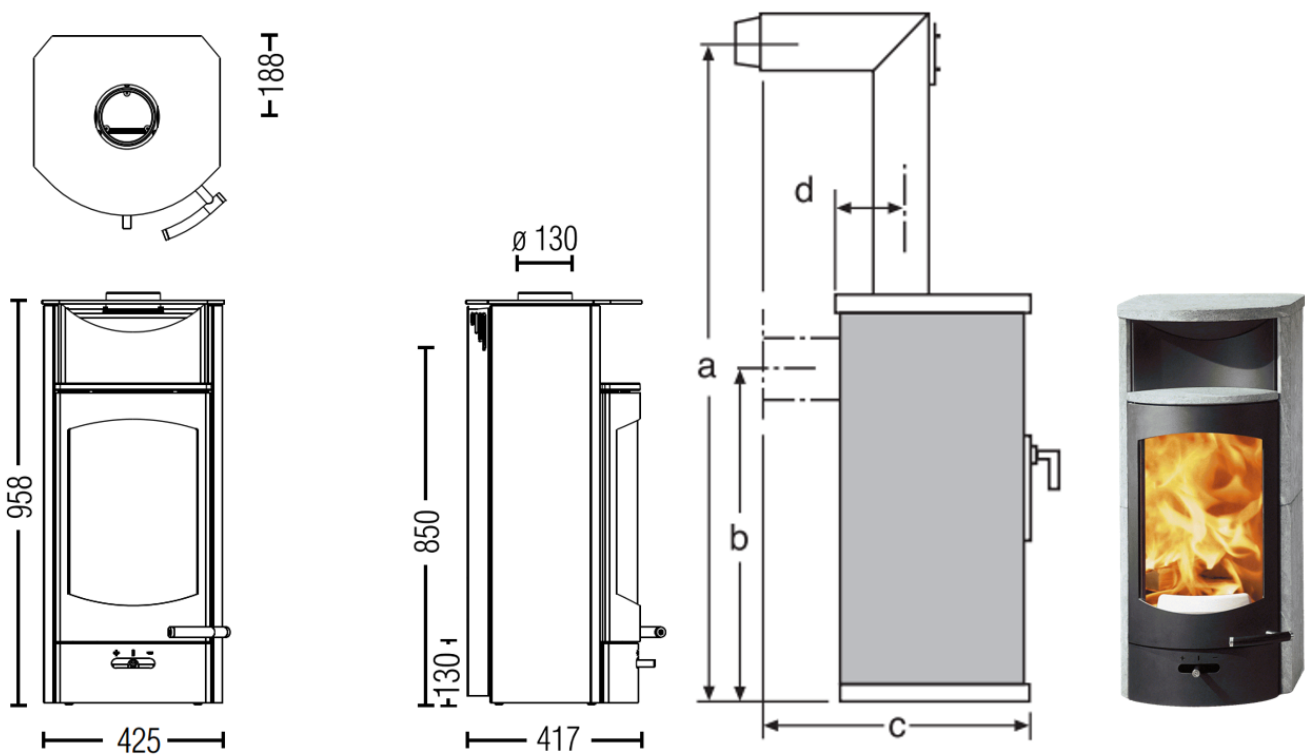


FLOCK 2.0



www.austroflamm.com



DIMENSIONS AND WEIGHTS

Steel jacket (STM) h x w x d [mm]	958 x 425 x 417
Ceramic jacket (KMG) H x B x D[mm]	-
Soapstone jacket (SPM) H x B x D[mm]	986 x 433 x 417
Combustion chamber (h x w x d) [mm]	379 x 282 x 248
STM weight [kg]	100 / - / 149
Flue outlet diameter [mm]	130
Flue outlet diameter, middle [mm]	850

HEAT OUTPUT

Nominal heat output under EN 13240 [kW]	4
Min. / max. heat output [kW]	2.5 / 6
Space heating capacity (depending on the building insulation)[m³]	34 - 88
Energy efficiency category	A+

FEATURES

XTRA heat-storing technology	-
Design A1	o
Ash drawer / ash box	o
Dimensions a, b, c, d [mm]	1504 / 850 / 605 / 188
external air connection / operation independent of ambient air	o

DATA FOR THE CHIMNEY SWEEP

Total flue gas flow, closed [g/s]	3.92
Flue gas temperature, closed [°C]	343
Minimum feed pressure at nominal heat efficiency, closed [Pa]	12
at 0.8 times nominal heat efficiency [Pa]	10