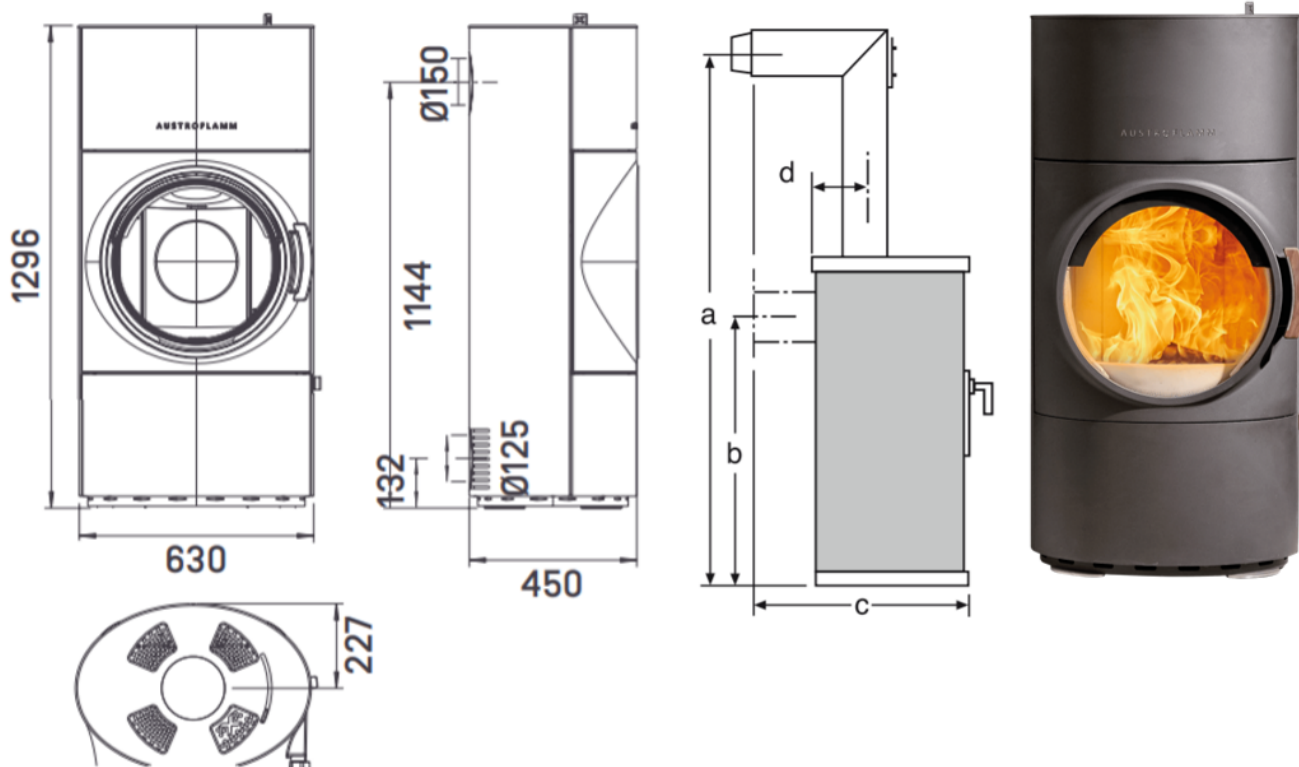


# CLOU XTRA



[www.austroflamm.com](http://www.austroflamm.com)



## DIMENSIONS AND WEIGHTS

Steel jacket (STM) h x w x d [mm]	1296 x 630 x 450
Ceramic jacket (KMG) h x w x d [mm]	-
Soapstone jacket (SPM) h x w x d [mm]	-
Combustion chamber (H x B x D)	389 x 432 x 245
STM / KMG / SPM weight [kg]	273 / - / -
Flue outlet diameter [Ø mm]	150
Flue outlet diameter, middle [mm]	1144

## HEAT OUTPUT

Nominal heat output under EN 13240 [kW]	8
Min. / max. heat output [kW]	4 / 11
Space heating capacity (depending on the building insulation)[m³]	98-255
Energy efficiency category	A

## FEATURES

XTRA heat-storing technology	o
Design A1	o
Ash drawer / ash box	o
Dimensions a, b, c, d [mm]	1813 / 1144 / 598 / 227
external air connection / operation independent of ambient air	behind or below

## DATA FOR THE CHIMNEY SWEEP

Total flue gas flow, closed [g/s]	6.6
Flue gas temperature, closed [°C]	357
Minimum feed pressure at nominal heat efficiency, closed [Pa]	12
at 0.8 times nominal heat efficiency [Pa]	10