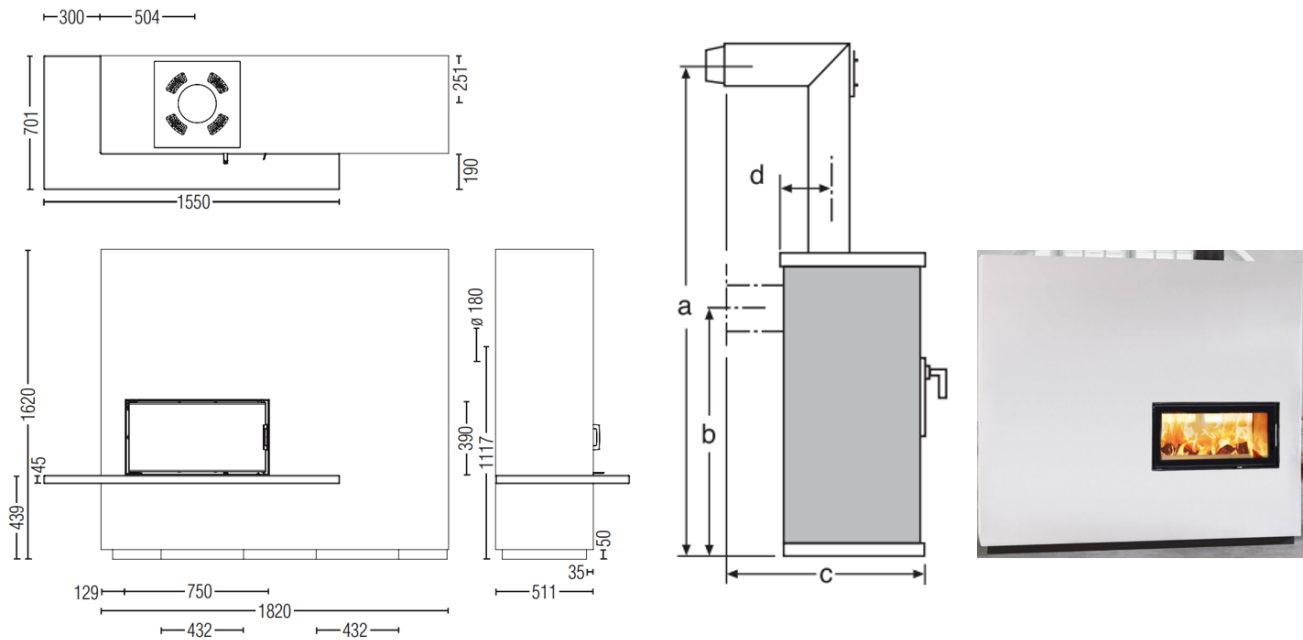


MIU



www.austroflamm.com



DIMENSIONS AND WEIGHTS

Height [mm]	1124-1324
Width [mm]	773
Depth [mm]	511
Weight [kg]	130
Width (body installation dimension) [mm]	750
Door frame height [mm]	390
Flue outlet diameter [mm]	180
Insulation layer thicknesses to the installation floor [mm] (Promasil 950 KS)	20
Insulation layer thicknesses lateral / rear [mm] (Promasil 950 KS)	130
Insulation layer thicknesses to the ceiling [mm] (Promasil 950 KS)	130
Ceramic flues - max. length [m]	4

HEAT OUTPUT

Nominal heat efficiency [kW] lt. EN test EN 13229	10
Minimum heat output [kW] / Maximum heat output [kW]	5-14
Energy efficiency category	A+
Circulating air cross-section without / with metal secondary heating surface [cm ²]	700/1000

FEATURES

Hinged doors	yes
Double pane	yes

DATA FOR THE CHIMNEY SWEEP

Total flue gas flow [g/s]	7.26
Flue gas temperature [°C]	331
Minimum feed pressure at nominal heat efficiency [Pa]	12