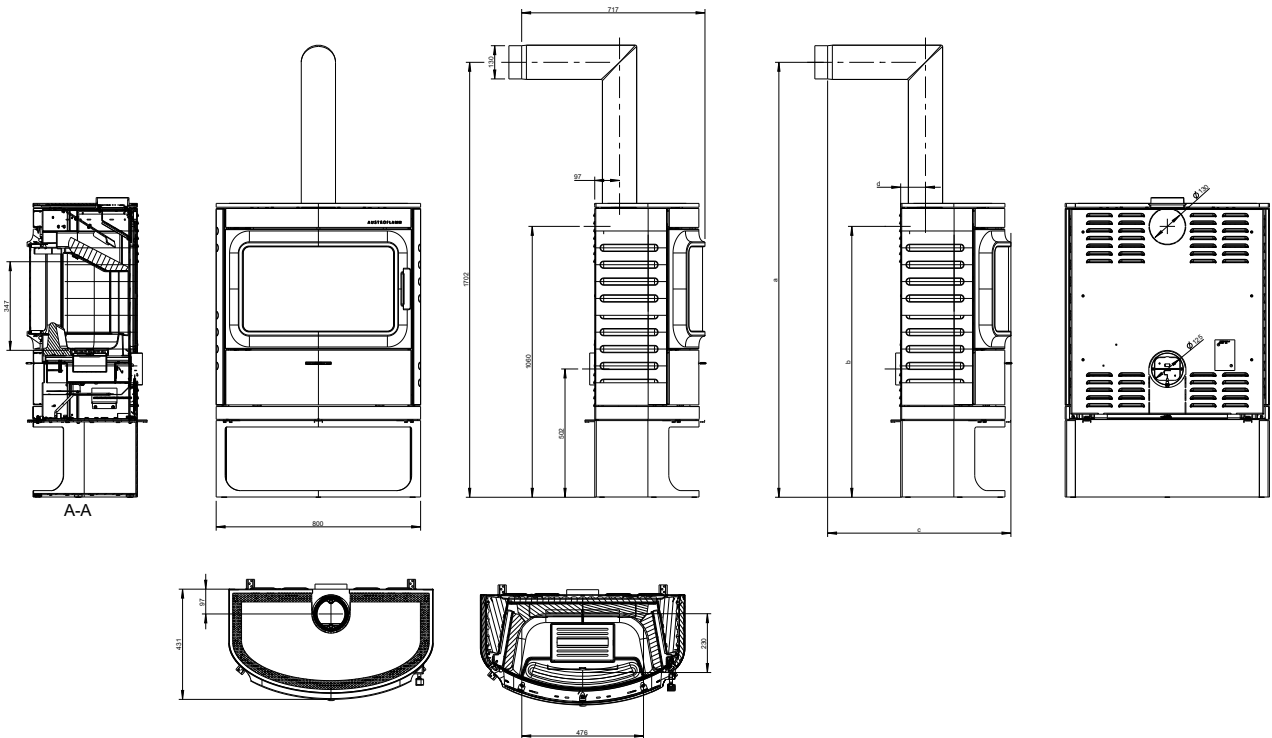


CODY


AUSTROFLAMM



www.austroflamm.com

Dimensions and weight	
Height [mm]	850
Width [mm]	800
Depth [mm]	431
Combustion chamber width [mm]	476
Combustion chamber height [mm]	347
Combustion chamber depth [mm]	230
Baking compartment width [mm]	-
Baking compartment height [mm]	-
Baking compartment depth [mm]	-
Warming drawer, width [mm]	-
Warming compartment height [mm]	-
Warming drawer, depth [mm]	-
Dimensions, a (with Austroflamm elbow piece) [mm]	1402
Dimensions, b (with Austroflamm elbow piece) [mm]	760
Dimensions, c (with Austroflamm elbow piece) [mm]	717
Dimensions, d (with Austroflamm elbow piece) [mm]	97
Flue pipe outlet, diameter [mm]	130
Outside air connection diameter [Ø mm]	125
Weight, basic appliance [kg]	163
Weight Xtra [kg]	-
Weight, HMS [kg]	63
Total weight inc. steel case (STM) [kg]	171
Total weight inc. ceramic case (KGM) [kg]	181
Total weight inc. soapstone case (SPM) [kg]	-
a: Safety distance to combustible materials, front [mm]	800
b: Safety distance to combustible materials, left [mm]	200
c: Safety distance to combustible materials, rear [mm]	120
d: Safety distance to combustible materials, right [mm]	200
Safety distance to combustible materials, floor [mm]	0
Output	
Nominal heat efficiency [kW]	8.0
Minimum heat output [kW]	4.0
Maximum heat output [kW]	11.0
Minimum room heating capacity [m ³]	98
Maximum room heating capacity [m ³]	255
Energy efficiency class	A+
Data for the chimney sweep	
Exhaust gas mass flow [g/s]	7.8
Flue gas temperature [°C]	256
Minimum delivery pressure at nominal heat output [Pa]	12
at 0.8 times nominal heat output [Pa]	10
Equipment	
Xtra heat storage technology	-
Heat Memory System	Accessories
External air connection / operation independent of ambient air	Yes
Ash removal	Ash box

- not available